

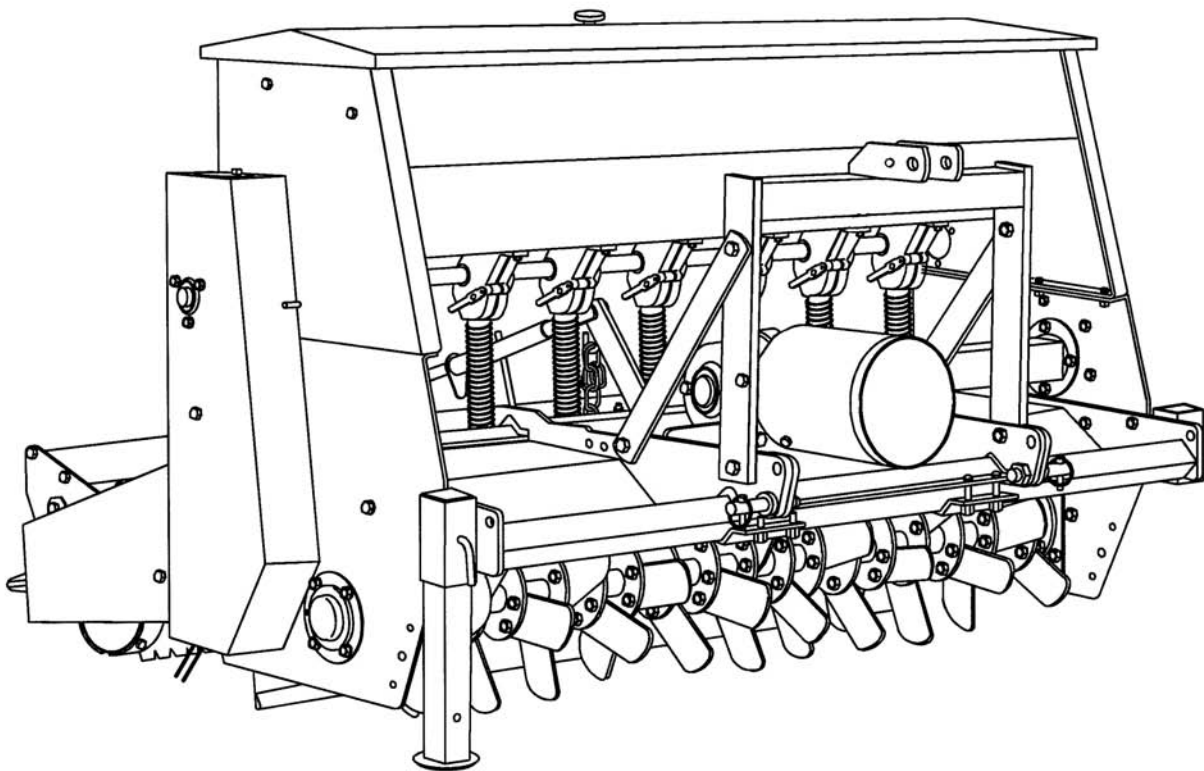
# **BEFCO®**

## **Parts Manual**

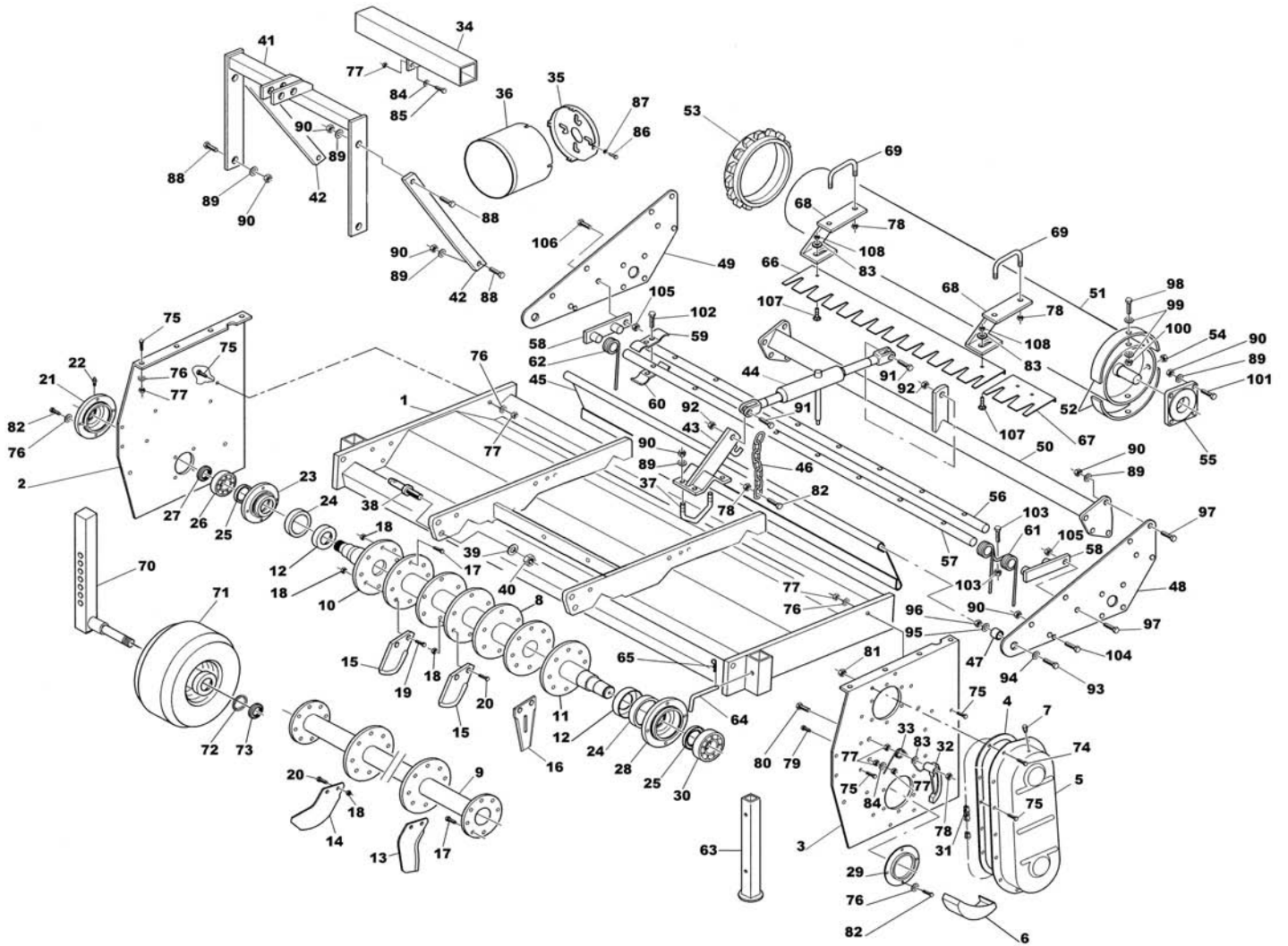
### **GREEN-RITE**

**One Pass Overseeder-Aerator and/or Seeder-Cultivator  
with Corrugated Roller for Lawn and Turf Operations**

**GRT-250, GRT-258, GRT-266, GRT-282**



**Manual 971-128B  
August 2015**



| Ref. | Part #    | Description                               | Qty. |
|------|-----------|---|------|
| 1    | 018-4751  | Frame 50"; GRT-250                        | 1    |
|      | 008-4701  | Frame 58"; GRT-258 #238124 & below        | 1    |
|      | 028-4751  | Frame 58"; GRT-258 #238125 & above        | 1    |
|      | 008-4702  | Frame 66"; GRT-266 #238124 & below        | 1    |
|      | 038-4751  | Frame 66"; GRT-266 #238125 & above        | 1    |
| 2    | 008-4028  | Side panel, right <sup>1</sup>            | 1    |
| 3    | 008-4041  | Drive panel                               | 1    |
| 4    | 002-2032  | Gasket, chain case cover                  | 1    |
| 5    | 001-1030  | Cover, chain case                         | 1    |
| 6    | 002-4027  | Protection, chain case cover              | 1    |
| 7    | 000-1107A | Breather cap                              | 1    |
| 8    | 008-4032  | Rotor, aerating 50"; GRT-250 <sup>2</sup> | 1    |
|      | 018-4032  | Rotor, aerating 58"; GRT-258 <sup>3</sup> | 1    |
|      | 028-4032  | Rotor, aerating 66"; GRT-266 <sup>4</sup> | 1    |
| 9    | 028-4046  | Rotor, tilling 50"; GRT-250 (option)      | 1    |
|      | 008-4046  | Rotor, tilling 58"; GRT-258 (option)      | 1    |
|      | 018-4046  | Rotor, tilling 66"; GRT-266 (option)      | 1    |
| 10   | 008-4051  | Flanged pivot, right                      | 1    |
| 11   | 008-4055  | Flanged pivot, left                       | 1    |
| 12   | 002-2074  | Dirt shield                               | 2    |
| 13   | 003-0104S | "C" blade, left (option) <sup>5</sup>     | -    |
| 14   | 003-0104D | "C" blade, right (option) <sup>6</sup>    | -    |
| 15   | 000-2645  | Blade, aerating standard                  | -    |
| 16   | 008-4061  | Blade, aerating reversible razor (option) | -    |
| 17   | 000-1073  | Bolt SP M12-1.25x35 C8.8 Z P              | 8    |
| 18   | 002-1105  | Nut PT M12-1.25 C6 Z                      | -    |
| 19   | 008-4073  | Bolt SP M12-1.25x40 C12.9 Z P             | 8    |
| 20   | 002-1104  | Bolt SP M12-1.25x30 C8.8 Z P              | -    |
| 21   | 003-0091  | Outer cover, right                        | 1    |
| 22   | 000-1065  | Grease fitting M10-1.00                   | 1    |
| 23   | 008-4081  | Right support, complete                   | 1    |
| 24   | 008-4083  | Dirt shield                               | 2    |
| 25   | 005-7567  | Oil seal 40.56.8                          | 2    |
| 26   | 003-0094  | Bearing 6306                              | 1    |
| 27   | 003-0095  | Locking ring ES GUK M30-1.50              | 1    |
| 28   | 008-4105  | Left support, complete                    | 1    |
| 29   | 003-4122  | Outer cover, left                         | 1    |
| 30   | 000-1061  | Bearing 6307                              | 1    |
| 31   | 003-4141  | Chain ASA 80Sx36; GRT-250, GRT-258        | 1    |
|      | 013-4141  | Chain ASA 80HEx36; GRT-266                | 1    |
| 32   | 003-0148  | Chain tensioner                           | 1    |
| 33   | 003-0158  | Spring, chain tensioner                   | 1    |

<sup>1</sup> Replaces part #008-4029.

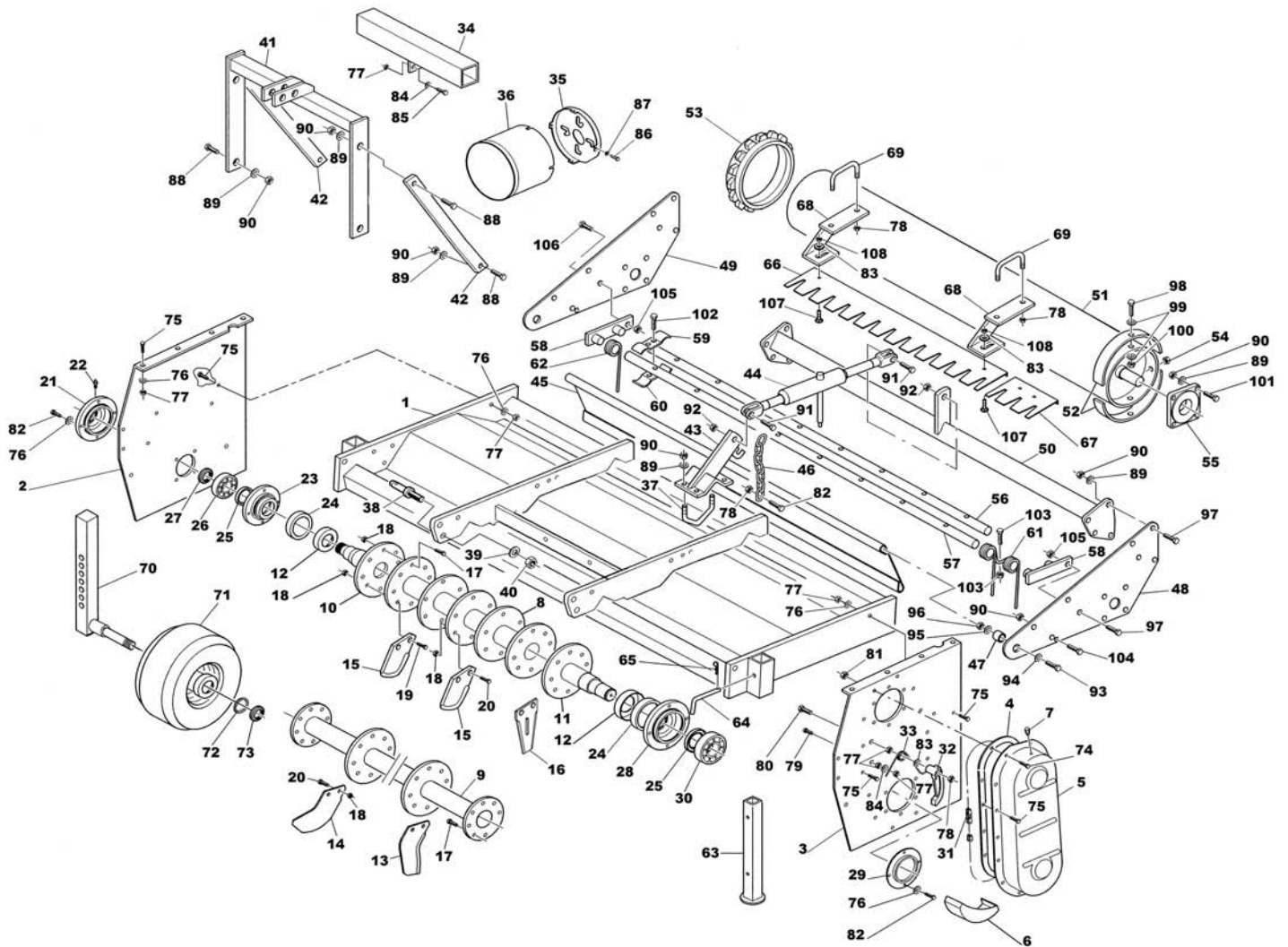
<sup>2</sup> Replaces part #028-4067.

<sup>3</sup> Replaces part #008-4067.

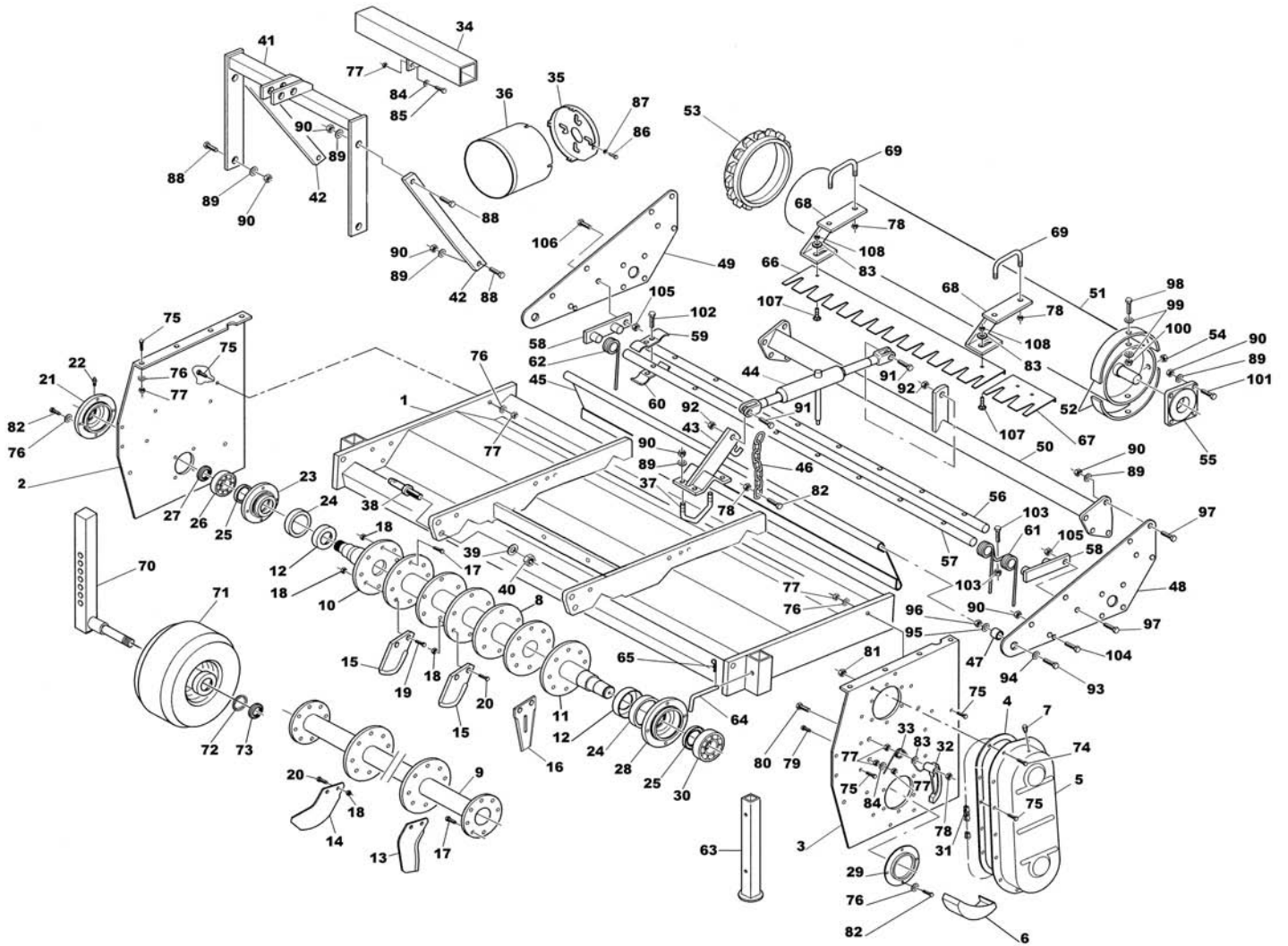
<sup>4</sup> Replaces part #018-4067.

<sup>5</sup> Blades must be purchased in pairs (right & left blade).

<sup>6</sup> Blades must be purchased in pairs (right & left blade).

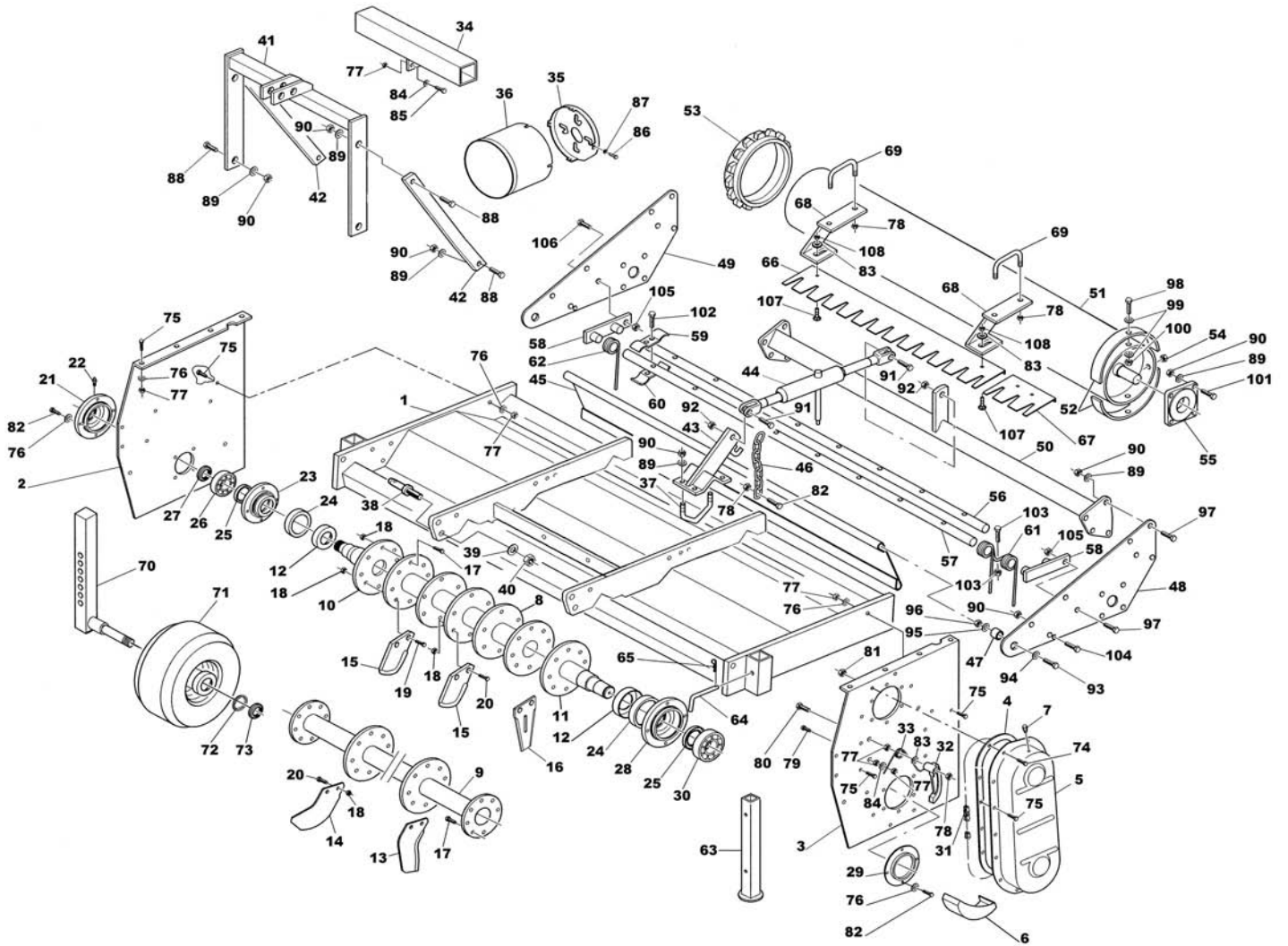


| Ref. | Part #   | Description   | Qty. |
|------|----------|---|------|
| 34   | 008-4158 | Protection 50"; GRT-250                                     | 1    |
|      | 008-4154 | Protection 58"; GRT-258 #238124 & below                     | 1    |
|      | 018-4158 | Protection 58"; GRT-258 #238125 & above                     | 1    |
|      | 018-4154 | Protection 66"; GRT-266 #238124 & below                     | 1    |
|      | 028-4158 | Protection 66"; GRT-266 #238125 & above                     | 1    |
| 35   | 001-1201 | Support, guard  | 1    |
| 36   | 001-1207 | Guard, PTO shaft  | 1    |
| 37   | 001-1253 | Bolt "V" M12-1.75x54x65 Z                                   | 2    |
| 38   | 000-5550 | Hitch pin   | 2    |
| 39   | 000-5351 | Washer lock Ø20 Z   | 2    |
| 40   | 000-5542 | Nut HH M20-1.50 C6 Z MD                                     | 2    |
| 41   | 008-4262 | Three point hitch; #238124 & below                          | 1    |
|      | 008-4772 | Three point hitch (Quick Hitch compatible); #238125 & above | 1    |
| 42   | 008-4268 | Top hitch support; #238124 & below                          | 2    |
|      | 008-4778 | Top hitch support (Quick Hitch compatible); #238125 & above | 2    |
| 43   | 008-4432 | Hitch, turnbuckle   | 1    |
| 44   | 003-8773 | Turnbuckle  | 1    |
| 45   | 028-4453 | Rear deflector 50"; GRT-250                                 | 1    |
|      | 008-4453 | Rear deflector 58"; GRT-258                                 | 1    |
|      | 018-4453 | Rear deflector 66"; GRT-266                                 | 1    |
| 46   | 000-7257 | Chain   | 1    |
| 47   | 004-8470 | Spacer, roller arm  | 2    |
| 48   | 004-8472 | Roller arm, left; until 11/1998                             | 1    |
|      | 008-4457 | Roller arm, left; since 12/1998                             | 1    |
| 49   | 008-4458 | Roller arm, right   | 1    |
| 50   | 028-4462 | Rear crossbar 50"; GRT-250                                  | 1    |
|      | 044-8481 | Rear crossbar 58"; GRT-258                                  | 1    |
|      | 008-4462 | Rear crossbar 66"; GRT-266                                  | 1    |
| 51   | 028-4476 | Leveling roller 50"; GRT-250                                | 1    |
|      | 044-8495 | Leveling roller 58"; GRT-258                                | 1    |
|      | 008-4476 | Leveling roller 66"; GRT-266                                | 1    |
| 52   | 008-4481 | End ring; GRT-250   | 4    |
|      | 004-6323 | End ring; GRT-258, 266                                      | 4    |
| 53   | 004-6322 | Corrugated roller ring, nylon-fiberglass                    | -    |
|      | 008-8589 | Corrugated roller ring, cast iron (option)                  | -    |
| 54   | 004-6325 | Plastic cap   | 2    |
| 55   | 004-6331 | Support UCF 207 TF  | 2    |
| 56   | 028-4501 | Tickler bar, rear 50"; GRT-250                              | 1    |
|      | 044-8521 | Tickler bar, rear 58"; GRT-258                              | 1    |
|      | 008-4501 | Tickler bar, rear 66"; GRT-266                              | 1    |
| 57   | 028-4505 | Tickler bar, front 50"; GRT-250                             | 1    |
|      | 044-8523 | Tickler bar, front 58"; GRT-258                             | 1    |
|      | 008-4505 | Tickler bar, front 66"; GRT-266                             | 1    |
| 58   | 004-6347 | Pivot assembly  | 2    |
| 59   | 004-6351 | Locking plate, top  | 2    |
| 60   | 014-6351 | Locking plate, bottom                                       | 2    |
| 61   | 004-6358 | Tickler tooth spring  | -    |



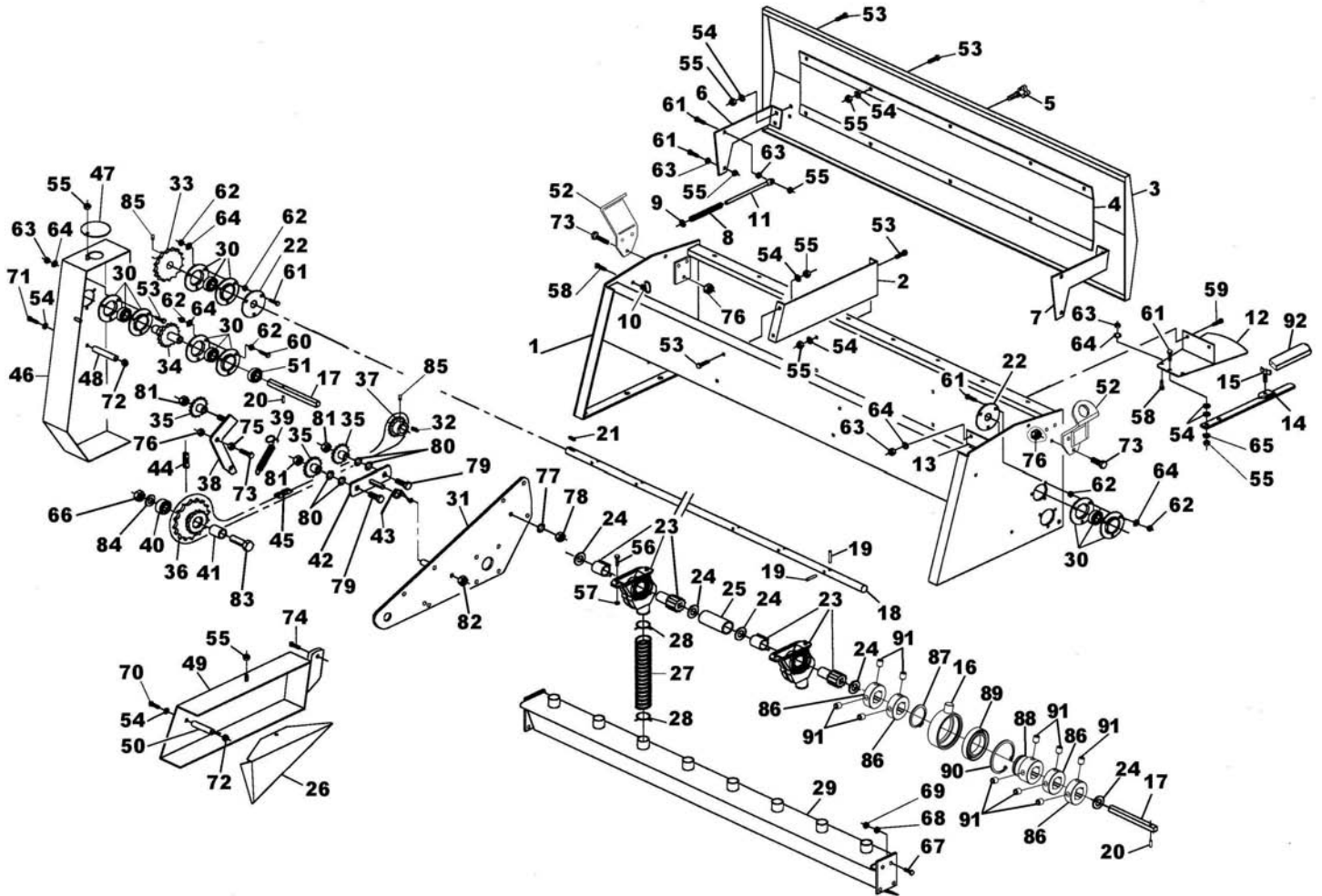
| Ref. | Part #    | Description  | Qty. |
|------|-----------|--|------|
| 62   | 004-6360  | Tickler tooth ½ spring                                   | 1    |
| 63   | 008-4613  | Stand  | 1    |
| 64   | 008-4619  | Hitch pin  | 1    |
| 65   | 009-1507  | Hairpin cotter Ø4 Z                                      | 1    |
| 66   | 008-4683  | Roller scraper plate; GRT-250, GRT-258, GRT-266 (option) | -    |
| 67   | 008-4682  | Roller scraper side plate 50"; GRT-250 (option)          | 1    |
|      | 008-4684  | Roller scraper side plate 66"; GRT-266 (option)          | 1    |
| 68   | 008-4685  | Support, roller scraper (option)                         | -    |
| 69   | 008-4693  | Bolt "U" M10-1.50x80x103 Z                               | -    |
| 70   | 008-4675  | Wheel support; until 10/2006 (option)                    | 2    |
|      | 008-4670  | Wheel support; since 11/2006 (option)                    | 2    |
| 71   | 008-4673  | Air tire; until 10/06 (option) <sup>7</sup>              | 2    |
|      | 002-3929A | Bearing, needle; air tire #008-4673 (not shown)          | 4    |
|      | 002-3930A | Retainer, wheel; air tire #008-4673 (not shown)          | 4    |
|      | 006-7402  | Air tire; since 11/2006 (option)                         | 2    |
|      | 005-1706  | Bearing, air tire #006-7402 (not shown)                  | 4    |
|      | 004-4134  | Wheel cover, air tire #006-7402 (not shown)              | 4    |
| 72   | 000-6606  | Shim Ø25x35x2  | 2    |
| 73   | 000-6610  | Lynch pin Ø6x46; until 10/2006                           | 2    |
|      | 000-6698  | Nut SP M25-1.50 Z; since 11/2006                         | 2    |
| 74   | 000-6349  | Bolt HH M10-1.50x20 C8.8 Z F                             | 10   |
| 75   | 003-3176  | Bolt HH M10-1.50x25 C8.8 Z F                             | 20   |
| 76   | 000-1280  | Washer lock Ø10 Z  | 26   |
| 77   | 000-1279  | Nut HH M10-1.50 C6 Z TK                                  | 23   |
| 78   | 003-0156  | Nut PT M10-1.50 C6 TK Z                                  | -    |
| 79   | 002-6329  | Bolt HH M10-1.50x45 C8.8 Z F                             | 1    |
| 80   | 003-0640  | Bolt HH M10-1.50x65 C8.8 Z F                             | 1    |
| 81   | 009-0150  | Nut HH M10-1.50 C6 Z MD                                  | 14   |
| 82   | 000-1278  | Bolt HH M10-1.50x30 C8.8 Z F                             | 9    |
| 83   | 003-0157  | Washer fender Ø10 Z                                      | -    |
| 84   | 000-2034  | Washer flat Ø10 W  | 3    |
| 85   | 009-1281  | Bolt HH M10-1.50x35 C8.8 Z F                             | 2    |
| 86   | 001-1210  | Bolt PN M06-1.00x12 C4.6 Z F                             | 4    |
| 87   | 001-1209  | Washer fender Ø6 Z                                       | 4    |
| 88   | 000-7716  | Bolt HH M12-1.75x45 C8.8 Z F                             | 6    |
| 89   | 000-1077  | Washer lock Ø12 Z  | 26   |
| 90   | 000-3038  | Nut HH M12-1.75 C6 Z TK                                  | 28   |
| 91   | 002-9317  | Bolt HH M14-2.00x50 C8.8 Z F                             | 2    |
| 92   | 003-0358  | Nut PT M14-2.00 C6 Z TK                                  | 2    |
| 93   | 003-7386  | Bolt HH M18-2.50x80 C8.8 Z F                             | 2    |
| 94   | 005-0049  | Washer flat Ø18 Y  | 2    |
| 95   | 000-3366  | Washer lock Ø18 Z  | 2    |
| 96   | 003-8370  | Nut HH M18-2.50 C6 Z MD                                  | 2    |
| 97   | 002-3265  | Bolt HH M12-1.75x40 C8.8 Z F                             | 9    |
| 98   | 009-1446  | Bolt HH M08-1.25x25 C8.8 Z F                             | 8    |
| 99   | 001-5230  | Washer flat Ø08 W  | 16   |
| 100  | 001-1328  | Nut PT M08-1.25 C6 Z TK                                  | 8    |
| 101  | 003-0054  | Bolt HH M12-1.75x50 C8.8 Z F                             | 8    |
| 102  | 000-8037  | Bolt HH M08-1.25x50 C8.8 Z F                             | 4    |

<sup>7</sup> Wheel no longer available. Order (qty 1) wheel (#006-7402) and (qty 1) wheel support (#008-4670) when replacing wheel.

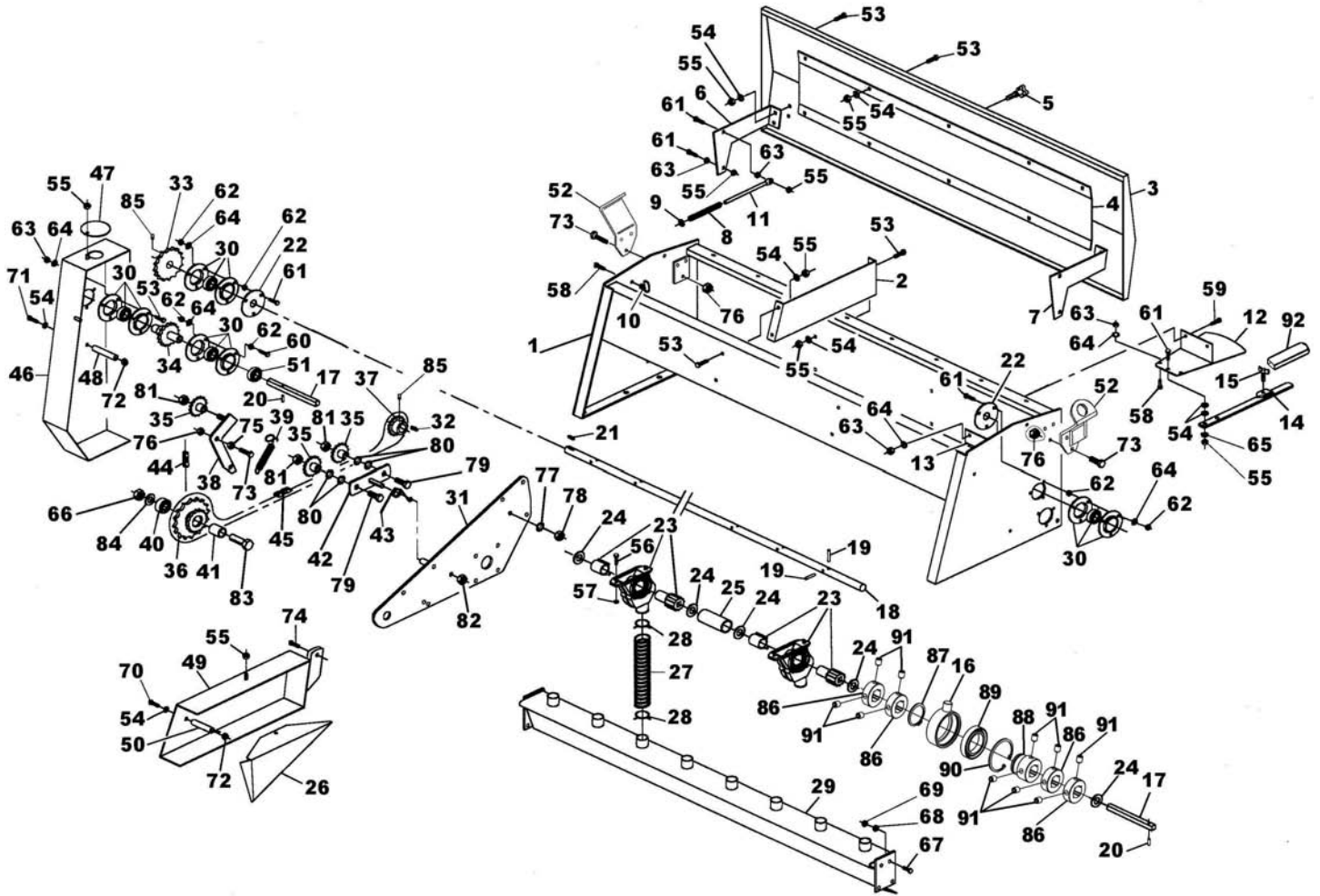




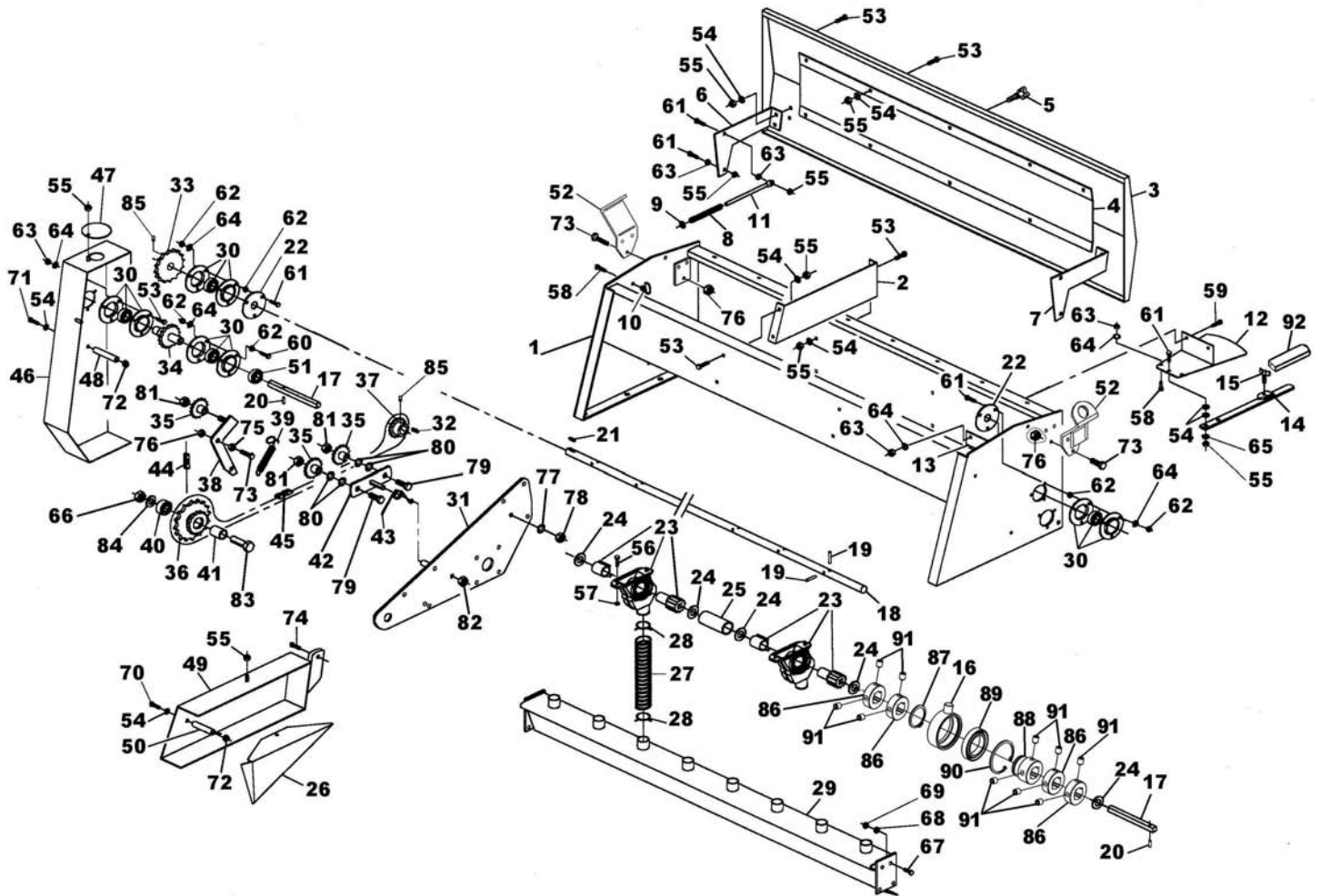
| Ref.                | Part #   | Description   | Qty. |
|---------------------|----------|---|------|
| 103                 | 004-6362 | Bolt CR M10-1.50x50 C4.6 Z P                            | -    |
| 104                 | 000-3037 | Bolt HH M12-1.75x25 C8.8 Z F                            | 2    |
| 105                 | 003-0064 | Nut PT M12-1.75 C6 TK Z                                 | 2    |
| 106                 | 008-4577 | Stop bolt   | 1    |
| 107                 | 000-1036 | Bolt CR M10-1.50x30 C4.6 Z                              | -    |
| 108                 | 001-4106 | Nut ES M10-1.50 Z TK                                    | -    |
| <b>Accessories:</b> |          |   |      |
|                     | 009-9649 | Tilling rotor 50" w/tines, complete; GRT-250 (option)   | -    |
|                     | 009-9517 | Tilling rotor 58" w/tines, complete; GRT-258 (option)   | -    |
|                     | 009-9564 | Tilling rotor 66" w/tines, complete; GRT-266 (option)   | -    |
|                     | 009-9650 | Roller scraper 50", complete; GRT-250 (option)          | -    |
|                     | 009-9539 | Roller scraper 58", complete; GRT-258 (option)          | -    |
|                     | 009-9565 | Roller scraper 66", complete; GRT-266 (option)          | -    |
|                     | 009-9875 | Gauge wheels, complete; GRT-250, 258, 266, 282 (option) | -    |



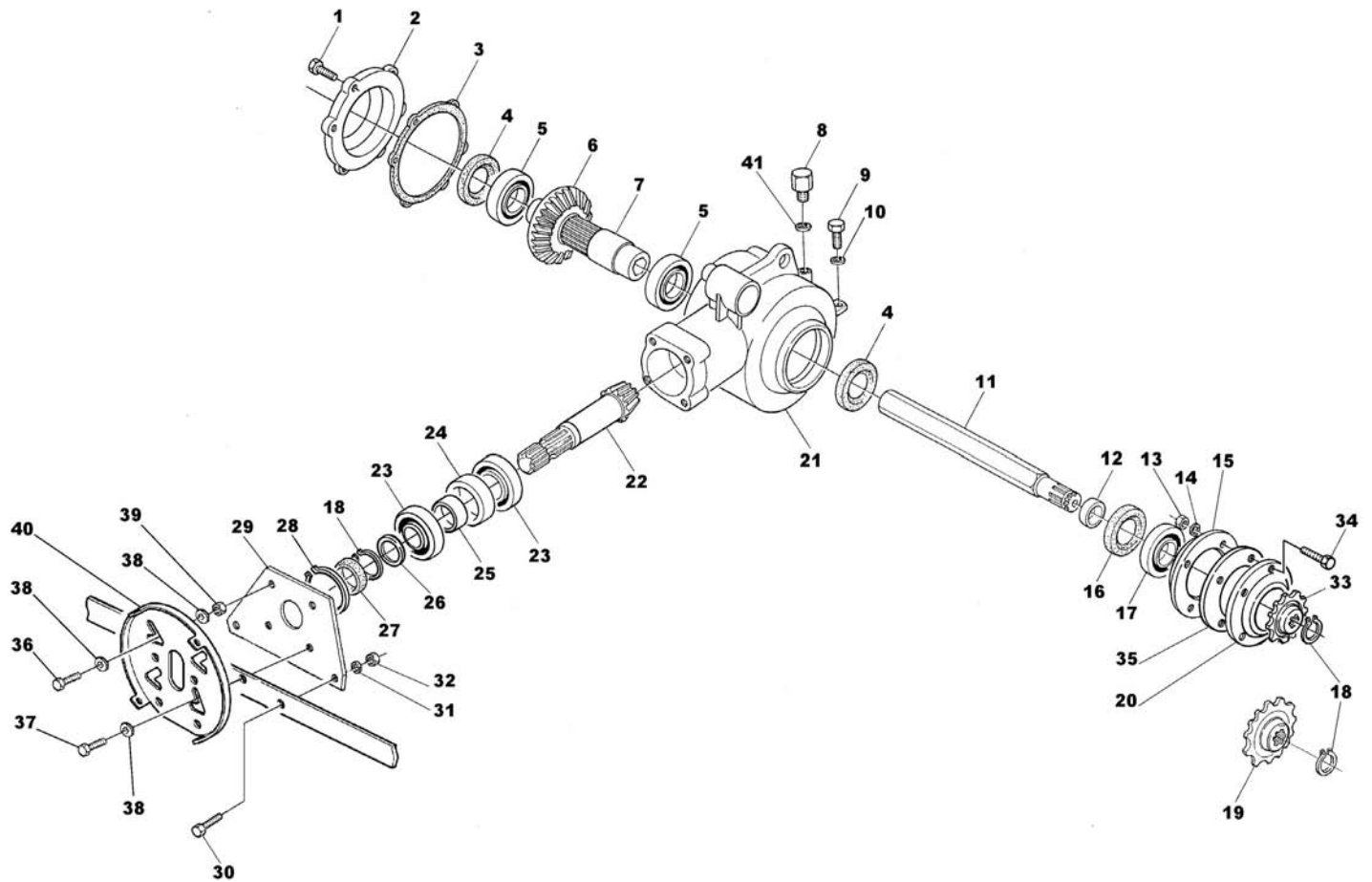
| Ref. | Part #   | Description                                  | Qty. |
|------|----------|--|------|
| 1    | 028-4281 | Hopper 50"; GRT-250                          | 1    |
|      | 008-4281 | Hopper 58"; GRT-258                          | 1    |
|      | 018-4281 | Hopper 66"; GRT-266                          | 1    |
| 2    | 008-4287 | Hopper support                               | 2    |
| 3    | 028-4292 | Hopper lid 50"; GRT-250                      | 1    |
|      | 008-4292 | Hopper lid 58"; GRT-258                      | 1    |
|      | 018-4292 | Hopper lid 66"; GRT-266                      | 1    |
| 4    | 028-4295 | Lid support 50"; GRT-250                     | 1    |
|      | 008-4295 | Lid support 58"; GRT-258                     | 1    |
|      | 018-4295 | Lid support 66"; GRT-266                     | 1    |
| 5    | 003-8575 | Knob, plastic Ø10x20; until 05/1999          | 1    |
|      | 008-4310 | Knob, plastic, autolocking; since 05/1999    | 1    |
| 6    | 018-4302 | Hopper hinge, right                          | 1    |
| 7    | 028-4302 | Hopper hinge, left                           | 1    |
| 8    | 004-6491 | Spring, hopper hinge; until 05/1999          | 2    |
| 9    | 008-4315 | Washer, hopper hinge; until 05/1999          | 2    |
| 10   | 004-6501 | Hook, hopper hinge; until 05/1999            | 2    |
| 11   | 004-6498 | Rod, hopper hinge: until 05/1999             | 2    |
| 12   | 008-4332 | Calibration plate                            | 1    |
| 13   | 004-6472 | Plate  | 1    |
| 14   | 004-6561 | Calibration handle                           | 1    |
| 15   | 004-6465 | Bolt wing M10-1.50x20 C5 Z                   | 1    |
| 16   | 004-8331 | Spacer, calibration handle; #296780 & below  | 1    |
|      | 008-4342 | Support, calibration handle; #296781 & above | 1    |
| 17   | 008-4363 | Drive rod 50"; GRT-250                       | 1    |
|      | 044-8353 | Drive rod 58"; GRT-258                       | 1    |
|      | 008-4365 | Drive rod 66"; GRT-266                       | 1    |
| 18   | 028-4374 | Auger shaft 50"; GRT-250                     | 1    |
|      | 008-4374 | Auger shaft 58"; GRT-258                     | 1    |
|      | 018-4374 | Auger shaft 66"; GRT-266                     | 1    |
| 19   | 004-6521 | Roll pin Ø6x60                               | -    |
| 20   | 000-6605 | Roll pin Ø6x32                               | 2    |
| 21   | 000-6639 | Key 8x7x25                                   | 1    |
| 22   | 004-6525 | Closing flange                               | 2    |
| 23   | 004-6531 | Seed cup assembly                            | -    |
| 24   | 008-4415 | Washer flat w/square hole 16.5               | -    |
| 25   | 004-8391 | Spacer, drive rod                            | -    |
| 26   | 008-4610 | Cover plate                                  | 1    |
| 27   | 008-4394 | Fertilizer tube 21 cm.                       | -    |
| 28   | 004-6533 | Wire ring clamp                              | -    |
| 29   | 028-4422 | Discharge support 50"; GRT-250               | 1    |
|      | 008-4422 | Discharge support 58"; GRT-258               | 1    |
|      | 018-4422 | Discharge support 66"; GRT-266               | 1    |
| 30   | 004-6541 | Support, complete                            | 4    |
| 31   | 008-4458 | Roller arm, right                            | 1    |
| 32   | 000-6688 | Key 8x7x35                                   | 1    |
| 33   | 008-4527 | Sprocket Z22, auger shaft                    | 1    |
| 34   | 008-4528 | Sprocket Z15, drive rod                      | 1    |
| 35   | 004-6644 | Idler sprocket Z14                           | 3    |
| 36   | 008-4552 | Sprocket assembly                            | 1    |
| 37   | 008-4582 | Sprocket Z13                                 | 1    |



| Ref. | Part #   | Description                                  | Qty. |
|------|----------|--|------|
| 38   | 008-4534 | Chain tensioner support                      | 1    |
| 39   | 005-1740 | Spring                                       | 1    |
| 40   | 008-4556 | Bearing 4204                                 | 1    |
| 41   | 008-4559 | Spacer, sprocket assembly; until 11/1998     | 1    |
|      | 008-7499 | Spacer, sprocket assembly; since 11/1998     | 1    |
| 42   | 008-4572 | Chain adjuster support                       | 1    |
| 43   | 008-4576 | Spring, chain adjuster support               | 1    |
| 44   | 008-4586 | Chain ASA 50x82                              | 1    |
| 45   | 008-4588 | Chain ASA 50x92                              | 1    |
| 46   | 008-4591 | Upper cover, chain case                      | 1    |
| 47   | 008-4596 | Access cover, chain case                     | 1    |
| 48   | 008-4599 | Spacer, upper cover                          | 1    |
| 49   | 008-4601 | Lower cover, chain case                      | 1    |
| 50   | 008-4607 | Spacer, lower cover                          | 1    |
| 51   | 008-4375 | Collar Ø25, shaft                            | 1    |
| 52   | 008-4284 | Lift hook; #270182 & above                   | 2    |
| 53   | 008-4289 | Bolt CR M08-1.25x20 C4.6 Z                   | 25   |
| 54   | 000-2034 | Washer flat Ø10 W                            | 26   |
| 55   | 009-1384 | Nut ES M08-1.25 Z TK                         | 27   |
| 56   | 008-8748 | Bolt CR M06-1.00x20 C4.6 Z                   | -    |
| 57   | 200-3001 | Nut kep M06-1.00 Z                           | -    |
| 58   | 004-6454 | Bolt HH M08-1.25x16 C8.8 Z F                 | 2    |
| 59   | 001-5012 | Bolt HH M08-1.25x20 C8.8 Z F                 | 2    |
| 60   | 009-1446 | Bolt HH M08-1.25x25 C8.8 Z F                 | 3    |
| 61   | 004-6543 | Bolt HH M08-1.25x30 C8.8 Z F                 | 9    |
| 62   | 004-6545 | Nut HH M08-1.25 C6 Z MD                      | 18   |
| 63   | 000-1806 | Nut HH M08-1.25 C6 Z TK                      | 9    |
| 64   | 000-3144 | Washer lock Ø8 Z                             | 16   |
| 65   | 001-5230 | Washer flat Ø08 W                            | 1    |
| 66   | 000-5507 | Nut PT M20-2.50 C6 Z TK                      | 1    |
| 67   | 003-3176 | Bolt HH M10-1.50x25 C8.8 Z F                 | 8    |
| 68   | 000-1280 | Washer lock Ø10 Z                            | 8    |
| 69   | 000-1279 | Nut HH M10-1.50 C6 Z TK                      | 8    |
| 70   | 001-5273 | Bolt HH M10-1.50x110 C8.8 Z P                | 1    |
| 71   | 001-5263 | Bolt HH M10-1.50x120 C8.8 Z P                | 1    |
| 72   | 001-4106 | Nut ES M10-1.50 Z TK                         | 2    |
| 73   | 000-7255 | Bolt HH M12-1.75x35 C8.8 Z F                 | 7    |
| 74   | 002-3265 | Bolt HH M12-1.75x40 C8.8 Z F                 | 1    |
| 75   | 001-7223 | Nut HH M12-1.75 C6 Z TN                      | 1    |
| 76   | 003-0064 | Nut PT M12-1.75 C6 Z TK                      | 7    |
| 77   | 000-1077 | Washer lock Ø12 Z                            | 1    |
| 78   | 000-3038 | Nut HH M12-1.75 C6 Z TK                      | 1    |
| 79   | 009-1038 | Bolt HH M16-2.00x50 C8.8 Z F                 | 2    |
| 80   | 000-8568 | Washer flat Ø16 W                            | 4    |
| 81   | 000-5581 | Nut PT M16-2.00 C6 Z TK                      | 3    |
| 82   | 003-0358 | Nut PT M14-2.00 C6 Z TK                      | 1    |
| 83   | 008-4558 | Bolt HH M20-2.50x90 C8.8 Z F                 | 1    |
| 84   | 004-6555 | Washer flat Ø20 Z                            | 1    |
| 85   | 008-4376 | Set screw M10-1.50x08 C14.9 N                | 2    |
| 86   | 008-4357 | Locking collar, square hole; #296781 & above | 4    |
| 87   | 001-0122 | Snap ring, outer Ø30; #296781 & above        | 1    |

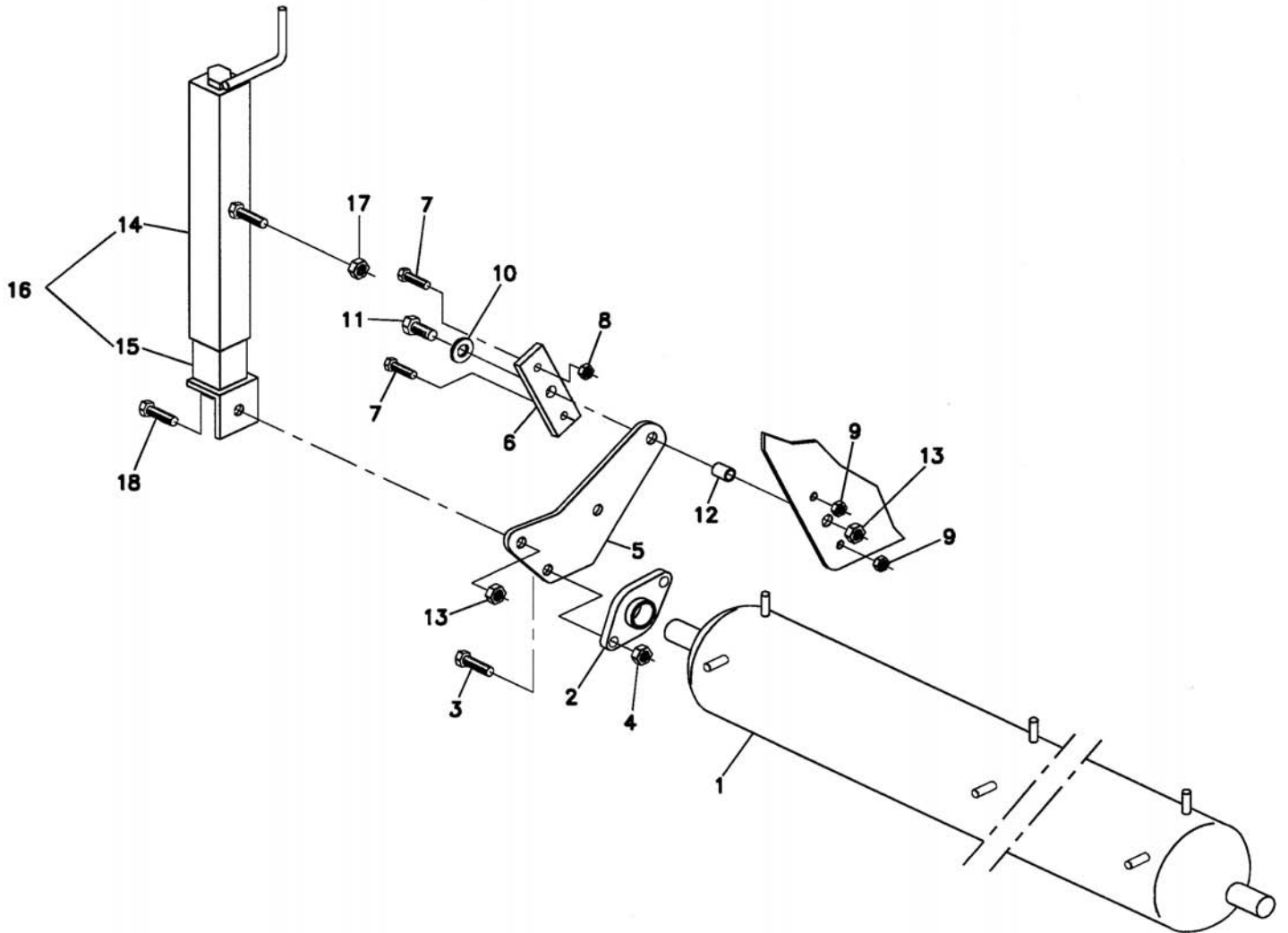


| <b>Ref.</b> | <b>Part #</b> | <b>Description</b>                              | <b>Qty.</b> |
|-------------|---------------|---|-------------|
| 88          | 008-4352      | Adjustment collar, square hole; #296781 & above | 1           |
| 89          | 008-4346      | Bearing 61906 2RS; #296781 & above              | 1           |
| 90          | 005-0144      | Snap ring, inner Ø47; #296781 & above           | 1           |
| 91          | 008-4354      | Set screw M08-1.25x8; #296781 & above           | 10          |
| 92          | 008-4345      | Grip, calibration handle                        | 1           |

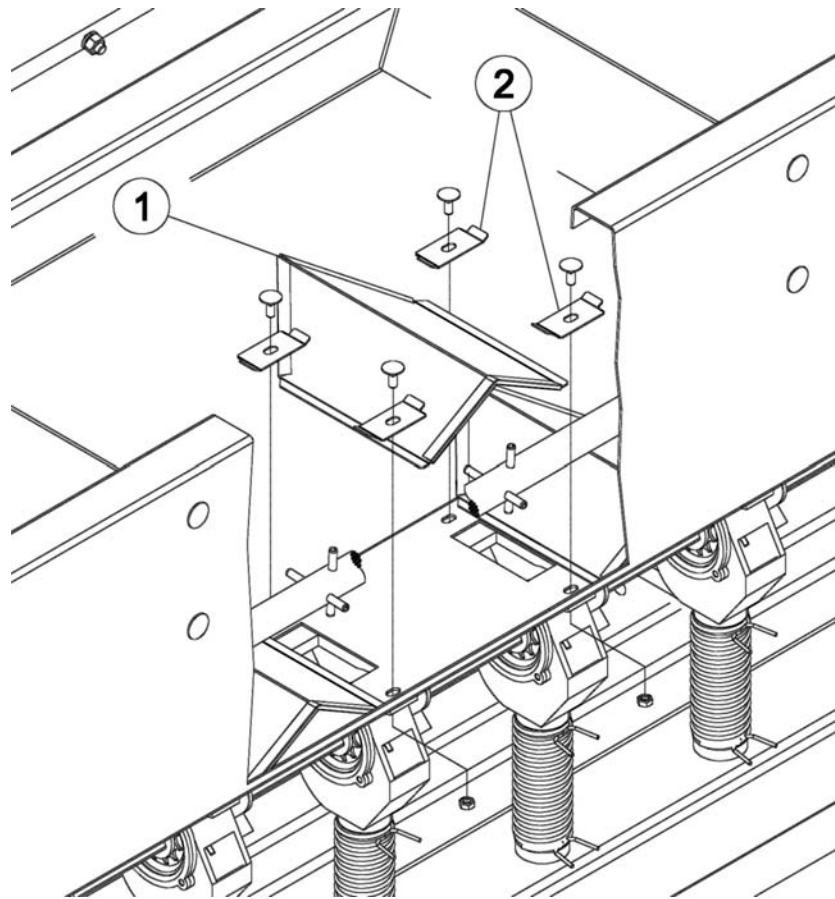




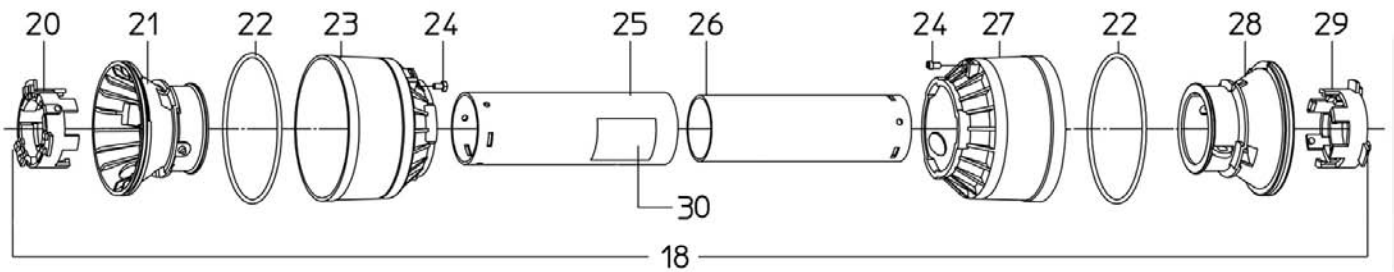
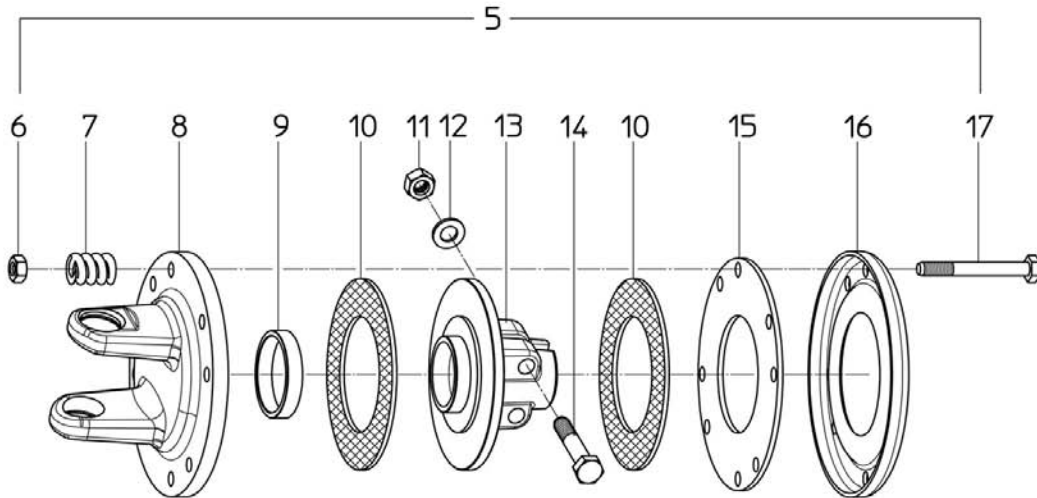
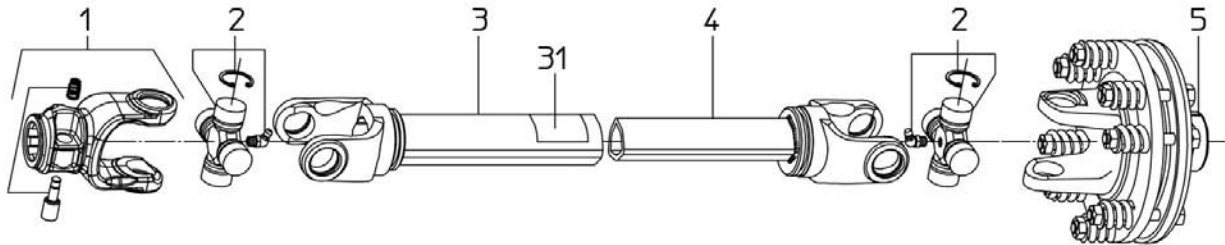
| Ref. | Part #    | Description                  | Qty. |
|------|-----------|------------------------------|------|
| 1    | 000-6349  | Bolt HH M10-1.50x20 C8.8 Z F | 6    |
| 2    | 002-2178  | Gear cover                   | 1    |
| 3    | 002-2180  | Gasket                       | -    |
| 4    | 000-2133  | Oil seal 50.68.10            | 2    |
| 5    | 003-4178  | Bearing 6010                 | 2    |
| 6    | 002-1176  | Ring gear                    | 1    |
| 7    | 003-4175  | Shaft coupling               | 1    |
| 8    | 000-1107A | Breather cap                 | 1    |
| 9    | 000-7716  | Bolt HH M12-1.75x45 C8.8 Z F | 1    |
| 10   | 000-2265  | Washer flat Ø12 Z            | 1    |
| 11   | 033-4166  | Hexagonal shaft 50"; GRT-250 | 1    |
|      | 043-4166  | Hexagonal shaft 58"; GRT-258 | 1    |
|      | 053-4166  | Hexagonal shaft 66"; GRT-266 | 1    |
| 12   | 000-2049  | Spacer                       | 1    |
| 13   | 000-1279  | Nut HH M10-1.50 C6 Z TK      | 4    |
| 14   | 000-1280  | Washer lock Ø10 Z            | 4    |
| 15   | 003-0092  | Inner cover                  | 1    |
| 16   | 003-4159  | Oil seal 45.60.10            | 1    |
| 17   | 000-1061  | Bearing 6307                 | 1    |
| 18   | 004-2122  | Snap ring, outer Ø35         | 3    |
| 19   | 003-4131  | Sprocket Z14                 | 1    |
| 20   | 003-4122  | Outer cover, left            | 1    |
| 21   | 002-2170  | Housing, gearbox             | 1    |
| 22   | 002-1177  | Pinion gear                  | 1    |
| 23   | 002-5332A | Bearing 6207                 | 2    |
| 24   | 003-4197  | Outer spacer, rear           | 1    |
| 25   | 003-4198  | Inner spacer                 | 1    |
| 26   | 003-4196  | Shim Ø35x45x2.5              | 1    |
| 27   | 003-0211  | Oil seal 35.72.10            | 1    |
| 28   | 002-5329  | Snap ring, inner Ø72         | 1    |
| 29   | 003-0218  | Front cover, gearbox         | 1    |
| 30   | 000-7255  | Bolt HH M12-1.75x35 C8.8 Z F | 2    |
| 31   | 000-1077  | Washer lock Ø12 Z            | 2    |
| 32   | 000-3038  | Nut HH M12-1.75 C6 Z TK      | 2    |
| 33   | 003-4134  | Sprocket Z11                 | 1    |
| 34   | 000-1278  | Bolt HH M10-1.50x30 C8.8 Z F | 4    |
| 35   | 003-4121  | Disk with holes              | 1    |
| 36   | 009-1281  | Bolt HH M10-1.50x35 C8.8 Z F | 2    |
| 37   | 000-1278  | Bolt HH M10-1.50x30 C8.8 Z F | 2    |
| 38   | 003-0157  | Washer fender Ø10 Z          | 6    |
| 39   | 000-1106  | Nut HH M12-1.75 C6 Z MD      | 2    |
| 40   | 001-1201  | Support, protection          | 1    |
| 41   | 000-6691  | Gasket                       | 1    |
|      | 050-0606  | Gearbox 540 rpm complete     | -    |



| Ref. | Part #   | Description  | Qty. |
|------|----------|--|------|
| 1    | 028-4622 | Front gauge roller 50"; GRT-250                    | 1    |
|      | 008-4622 | Front gauge roller 58"; GRT-258                    | 1    |
|      | 018-4622 | Front gauge roller 66"; GRT-266                    | 1    |
| 2    | 003-7514 | Support UCFL 206 TF                                | 2    |
| 3    | 002-3265 | Bolt HH M12-1.75x40 C8.8 Z F                       | 4    |
| 4    | 003-0064 | Nut PT M12-1.75 C6 Z TK                            | 4    |
| 5    | 008-4631 | Roller arm   | 2    |
| 6    | 008-4633 | Plate  | 2    |
| 7    | 003-8614 | Bolt HH M10-1.50x40 C8.8 Z F                       | 4    |
| 8    | 000-3038 | Nut HH M12-1.75 C6 Z TK                            | 4    |
| 9    | 003-0156 | Nut PT M10-1.50 C6 Z TK                            | 4    |
| 10   | 009-1435 | Washer flat Ø14 W                                  | 2    |
| 11   | 000-1018 | Bolt HH M14-2.00x45 C8.8 Z P                       | 2    |
| 12   | 008-4642 | Spacer, roller arm                                 | 2    |
| 13   | 003-0358 | Nut PT M14-2.00 C6 Z TK                            | 4    |
| 14   | 008-4646 | Female tube, register screw                        | 2    |
| 15   | 008-4656 | Male tube, register screw                          | 2    |
| 16   | 008-4645 | Register screw, complete                           | 2    |
| 17   | 001-7506 | Nut PT M18-2.50 C6 Z TK                            | 2    |
| 18   | 000-1526 | Bolt HH M14-2.00x35 C8.8 Z F                       | 2    |
|      | 009-9648 | Front gauge roller 50", complete; GRT-250 (option) | -    |
|      | 009-9516 | Front gauge roller 58", complete; GRT-258 (option) | -    |
|      | 009-9563 | Front gauge roller 66", complete; GRT-266 (option) | -    |

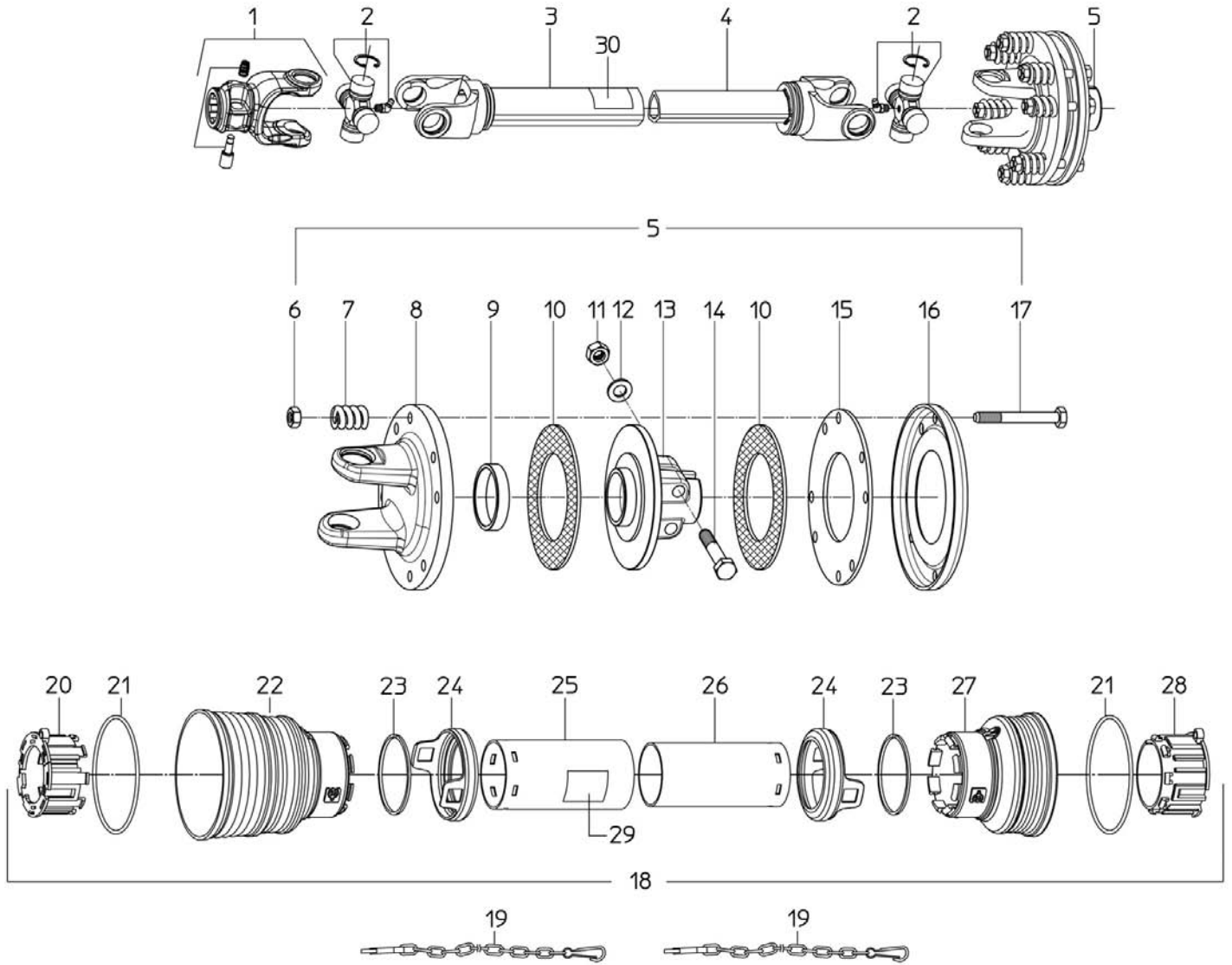


| <b>Ref.</b> | <b>Part #</b> | <b>Description</b>                   | <b>Qty.</b> |
|-------------|---------------|--------------------------------------|-------------|
| 1           | 008-8740      | Seed conveyor; GRT-250               | 6           |
|             | 008-8740      | Seed conveyor; GRT-258               | 7           |
|             | 008-8740      | Seed conveyor; GRT-266               | 8           |
| 2           | 008-8742      | Fixing plate, seed conveyor; GRT-250 | 14          |
|             | 008-8742      | Fixing plate, seed conveyor; GRT-258 | 16          |
|             | 008-8742      | Fixing plate, seed conveyor; GRT-266 | 18          |
|             | 009-9139      | Seed conveyors, complete; GRT-250    | -           |
|             | 009-9140      | Seed conveyors, complete; GRT-258    | -           |
|             | 009-9141      | Seed conveyors, complete; GRT-266    | -           |



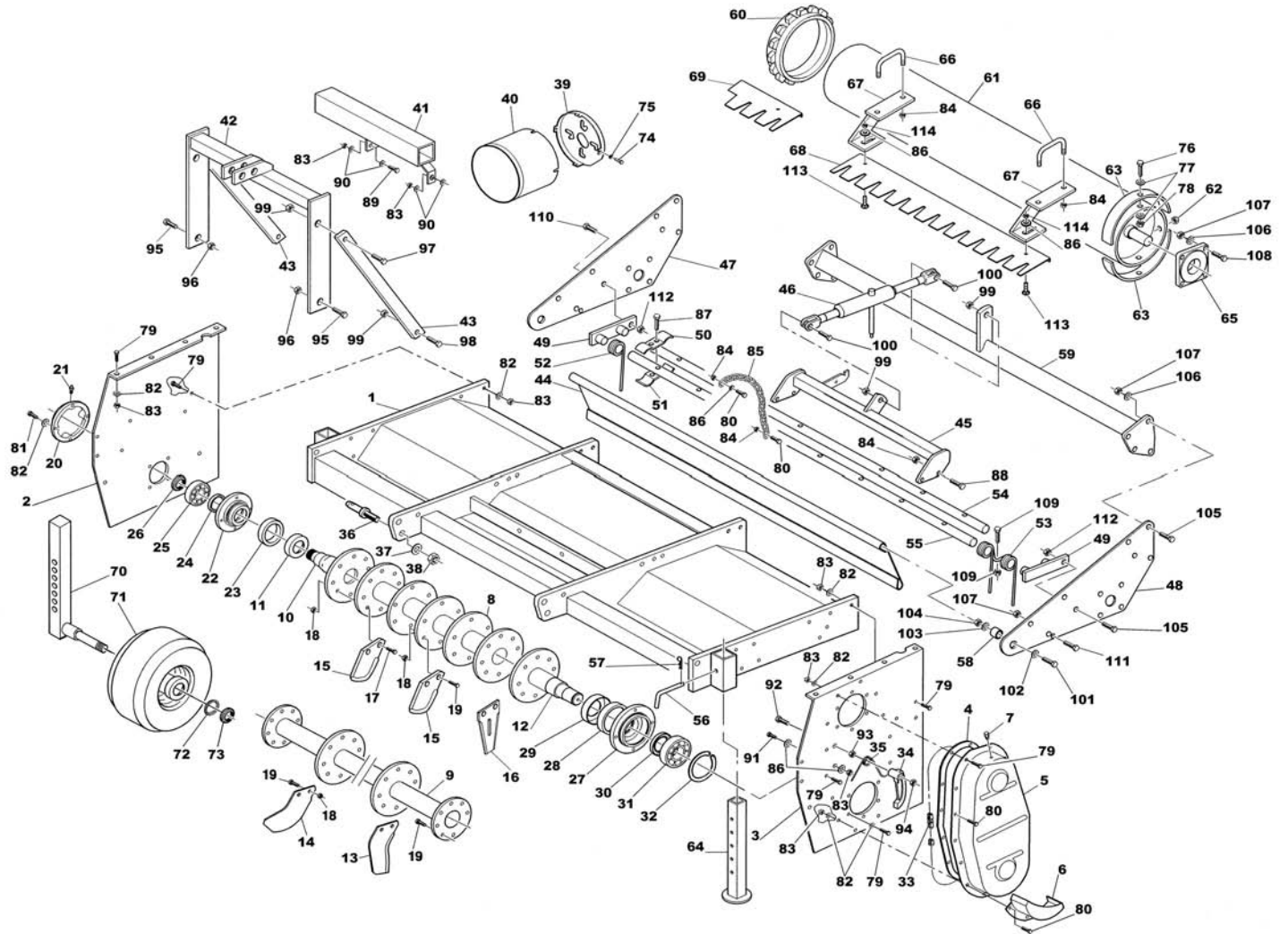
| Ref. | Part #    | Description   | Qty. |
|------|-----------|---|------|
| 1    | 1023010C  | PTO yoke  | 1    |
| 2    | 1003020C  | Cross w/bearing   | 2    |
| 3    | 1943043NC | Outer tube w/yoke   | 1    |
| 4    | 1953045NC | Inner tube w/yoke   | 1    |
| 5    | 1333030C  | Slip clutch, complete                                       | 1    |
| 6    | 003-0156  | Nut PT M10-1.50 C6 Z TK                                     | 8    |
| 7    | 1215012C  | Spring, slip clutch   | 8    |
| 8    | 1703130C  | Yoke, slip clutch   | 1    |
| 9    | 1704017C  | Bushing, slip clutch  | 1    |
| 10   | 1804000C  | Friction disc   | 2    |
| 11   | 000-1075  | Nut HH M12-1.25 C6 Z TK                                     | 2    |
| 12   | 000-1077  | Washer, lock Ø12 Z  | 2    |
| 13   | 1704016C  | Hub with flange, slip clutch                                | 1    |
| 14   | 003-4270  | Bolt HH M12-1.25x65 C8.8 Z P                                | 2    |
| 15   | 1134008C  | Inner disc  | 1    |
| 16   | 1134007C  | Outer flange  | 1    |
| 17   | 001-5232  | Bolt HH M10-1.50x75 C8.8 Z P                                | 8    |
| 18   | 90SE4041C | Shield, complete <sup>8</sup>                               | 1    |
| 19   | 1006065C  | Chain, anti-rotation  | 2    |
| 20   | 1784210C  | Locking ring, outer tube; #280017 & below                   | 1    |
| 21   | 1784201C  | Rigid cone, outer tube; #280017 & below                     | 1    |
| 22   | 1213233C  | Stiffening ring; #280017 & below                            | 2    |
| 23   | 1784203C  | Standard cone; #280017 & below                              | 1    |
| 24   | 1784212C  | Pin; #280017 & below  | 2    |
| 25   | 1773041C  | Shield, outer tube  | 1    |
| 26   | 1872041C  | Shield, inner tube  | 1    |
| 27   | 1784207C  | Extra short cone; #280017 & below                           | 1    |
| 28   | 1784202C  | Rigid cone, inner tube; #280017 & below                     | 1    |
| 29   | 1784211C  | Locking ring, inner tube; #280017 & below                   | 1    |
| 30   | 950-463B  | Decal "DANGER - Rotating driveline, keep away" outer shield | 1    |
| 31   | 950-464B  | Decal "DANGER - Guard missing, do not operate" outer tube   | 1    |
|      | 050-0408  | Driveline w/slip clutch, complete                           | -    |

<sup>8</sup> Complete shielding is interchangeable with part #96SE4041C. Single shield components are not interchangeable.





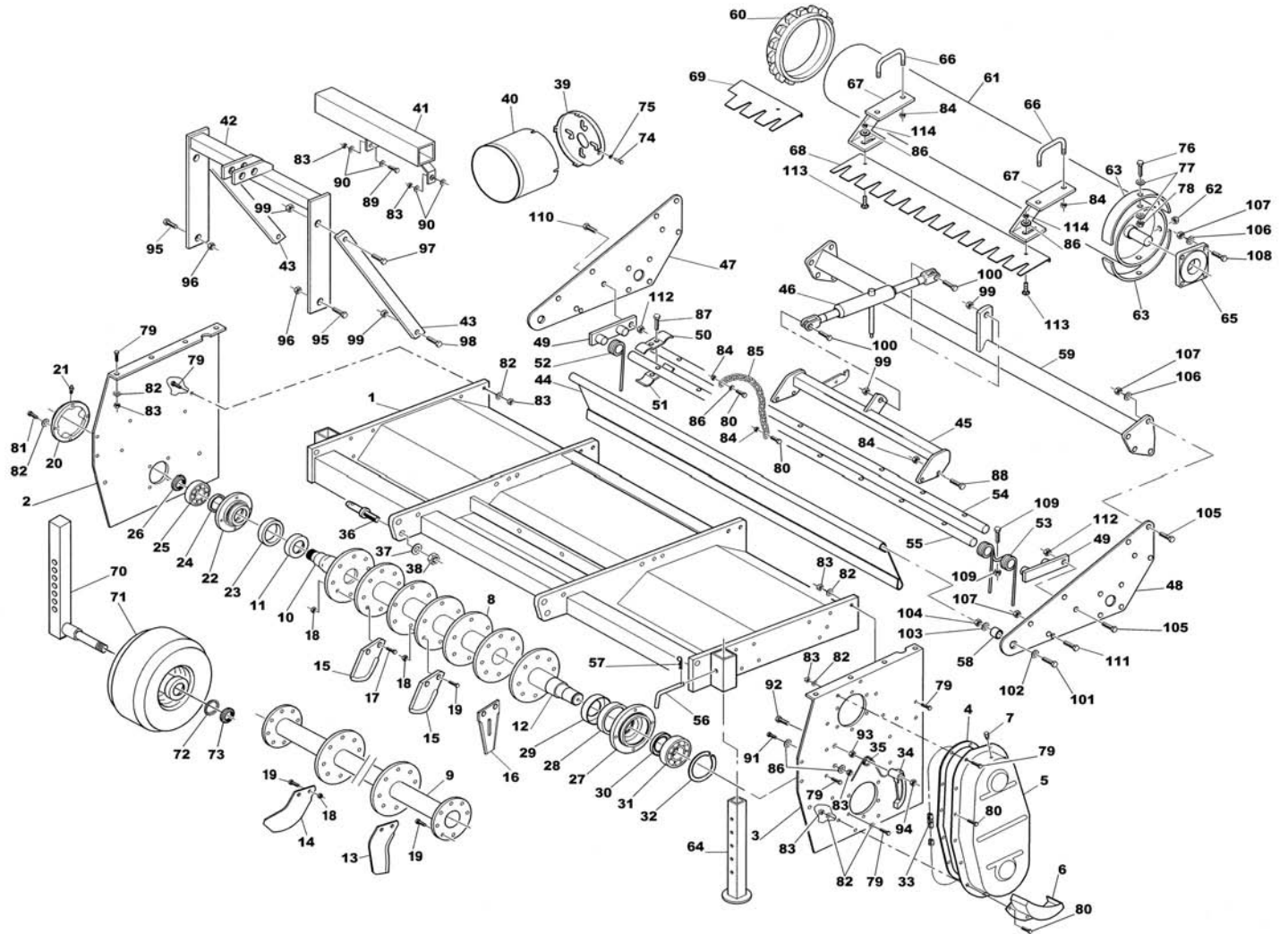
| Ref. | Part #    | Description   | Qty. |
|------|-----------|---|------|
| 1    | 1023010C  | PTO yoke  | 1    |
| 2    | 1003020C  | Cross w/bearing   | 2    |
| 3    | 1943043NC | Outer tube w/yoke   | 1    |
| 4    | 1953045NC | Inner tube w/yoke   | 1    |
| 5    | 1333030C  | Slip clutch, complete                                       | 1    |
| 6    | 003-0156  | Nut PT M10-1.50 C6 Z TK                                     | 8    |
| 7    | 1215012C  | Spring, slip clutch   | 8    |
| 8    | 1703130C  | Yoke, slip clutch   | 1    |
| 9    | 1704017C  | Bushing, slip clutch  | 1    |
| 10   | 1804000C  | Friction disc   | 2    |
| 11   | 000-1075  | Nut HH M12-1.25 C6 Z TK                                     | 2    |
| 12   | 000-1077  | Washer, lock Ø12 Z  | 2    |
| 13   | 1704016C  | Hub with flange, slip clutch                                | 1    |
| 14   | 003-4270  | Bolt HH M12-1.25x65 C8.8 Z P                                | 2    |
| 15   | 1134008C  | Inner disc  | 1    |
| 16   | 1134007C  | Outer flange  | 1    |
| 17   | 001-5232  | Bolt HH M10-1.50x75 C8.8 Z P                                | 8    |
| 18   | 96SE4041C | Shield, complete  | 1    |
| 19   | 1006065C  | Chain, anti-rotation  | 2    |
| 20   | 1784710C  | Locking ring, outer tube; #280018 & above                   | 1    |
| 21   | 1211733C  | Stiffening ring; #280018 & above                            | 2    |
| 22   | 1781703C  | Standard cone; #280018 & above                              | 1    |
| 23   | 1211735C  | Stop ring; #280018 & above                                  | 2    |
| 24   | 1881709C  | Safety sleeve; #280018 & above                              | 2    |
| 25   | 1773041C  | Shield, outer tube  | 1    |
| 26   | 1872041C  | Shield, inner tube  | 1    |
| 27   | 1781701C  | Extra short cone; #280018 & above                           | 1    |
| 28   | 1784711C  | Locking ring, inner tube; #280018 & above                   | 1    |
| 29   | 950-463B  | Decal "DANGER - Rotating driveline, keep away" outer shield | 1    |
| 30   | 950-464B  | Decal "DANGER - Guard missing, do not operate" outer tube   | 1    |
|      | 050-0408  | Driveline w/slip clutch, complete                           | -    |



| Ref. | Part #    | Description   | Qty. |
|------|-----------|---|------|
| 1    | 008-7013  | Frame 82"; GRT-282 First version only                       | 1    |
|      | 008-7014  | Frame 82"; GRT-282 Ver. A & above                           | 1    |
| 2    | 008-7031  | Right side panel  | 1    |
| 3    | 008-7041  | Drive panel   | 1    |
| 4    | 008-0035  | Gasket, chain case cover                                    | 1    |
| 5    | 008-0033  | Cover, chain case   | 1    |
| 6    | 008-0027  | Protection, chain case cover                                | 1    |
| 7    | 000-1107A | Breather cap  | 1    |
| 8    | 008-7061  | Rotor, aerating 82"; GRT-282                                | 1    |
| 9    | 058-0381  | Rotor, tilling 82"; GRT-282 (option)                        | 1    |
| 10   | 008-7052  | Flanged pivot, right; GRT-282                               | 1    |
| 11   | 008-0075  | Dirt shield   | 1    |
| 12   | 008-7102  | Flanged pivot, left; GRT-282                                | 1    |
| 13   | 000-1071S | "C" blade, left (option) <sup>9</sup>                       | 20   |
| 14   | 000-1071D | "C" blade, right (option) <sup>10</sup>                     | 20   |
| 15   | 000-2643  | Blade, aerating standard                                    | 104  |
| 16   | 008-4061  | Blade, aerating reversible razor (option)                   | 104  |
| 17   | 008-4073  | Bolt SP M12-1.25x40 C12.9 Z P                               | 16   |
| 18   | 002-1105  | Nut PT M12-1.25 C6 Z  | 208  |
| 19   | 000-1073  | Bolt SP M12-1.25x35 C8.8 Z P                                | 192  |
| 20   | 008-0111  | Outer cover, right  | 1    |
| 21   | 000-1065  | Grease fitting M10-1.00                                     | 1    |
| 22   | 008-0114  | Right support, complete                                     | 1    |
| 23   | 008-0116  | Dirt shield   | 1    |
| 24   | 003-4159  | Oil seal 45.60.10   | 1    |
| 25   | 000-1061  | Bearing 6307  | 1    |
| 26   | 003-7098  | Locking ring ES GUK M35-1.50                                | 1    |
| 27   | 008-0131  | Rotor support, left   | 1    |
| 28   | 003-0123  | Cover   | 1    |
| 29   | 008-0091  | Dirt shield   | 1    |
| 30   | 000-5578  | Oil seal 55.80.10   | 1    |
| 31   | 000-1085  | Bearing 6309  | 1    |
| 32   | 000-1087  | Snap ring, inner Ø100                                       | 1    |
| 33   | 000-1120  | Chain ASA 100x36  | 1    |
| 34   | 000-1115  | Chain tensioner   | 1    |
| 35   | 003-7184  | Spring, chain tensioner                                     | 1    |
| 36   | 000-5550  | Hitch pin   | 2    |
| 37   | 000-5351  | Washer lock Ø20 Z   | 2    |
| 38   | 000-5542  | Nut HH M20-1.50 C6 Z MD                                     | 2    |
| 39   | 001-1201  | Support, guard  | 1    |
| 40   | 001-1207  | Guard, PTO shaft  | 1    |
| 41   | 026-8052  | Protection, left 82"; GRT-282 First version only            | 1    |
|      | 008-7154  | Protection, left 82"; GRT-282 Ver. A & above                | 1    |
| 42   | 008-7176  | Three point hitch 82"; GRT-282 First version only           | 1    |
|      | 008-7166  | Three point hitch 82" (Quick Hitch); GRT-282 Ver. A & above | 1    |
| 43   | 008-7182  | Top hitch support 82"; GRT-282 First version only           | 2    |
|      | 008-7183  | Top hitch support 82" (Quick Hitch); GRT-282 Ver. A & above | 2    |
| 44   | 008-7372  | Rear deflector 82"; GRT-282                                 | 1    |

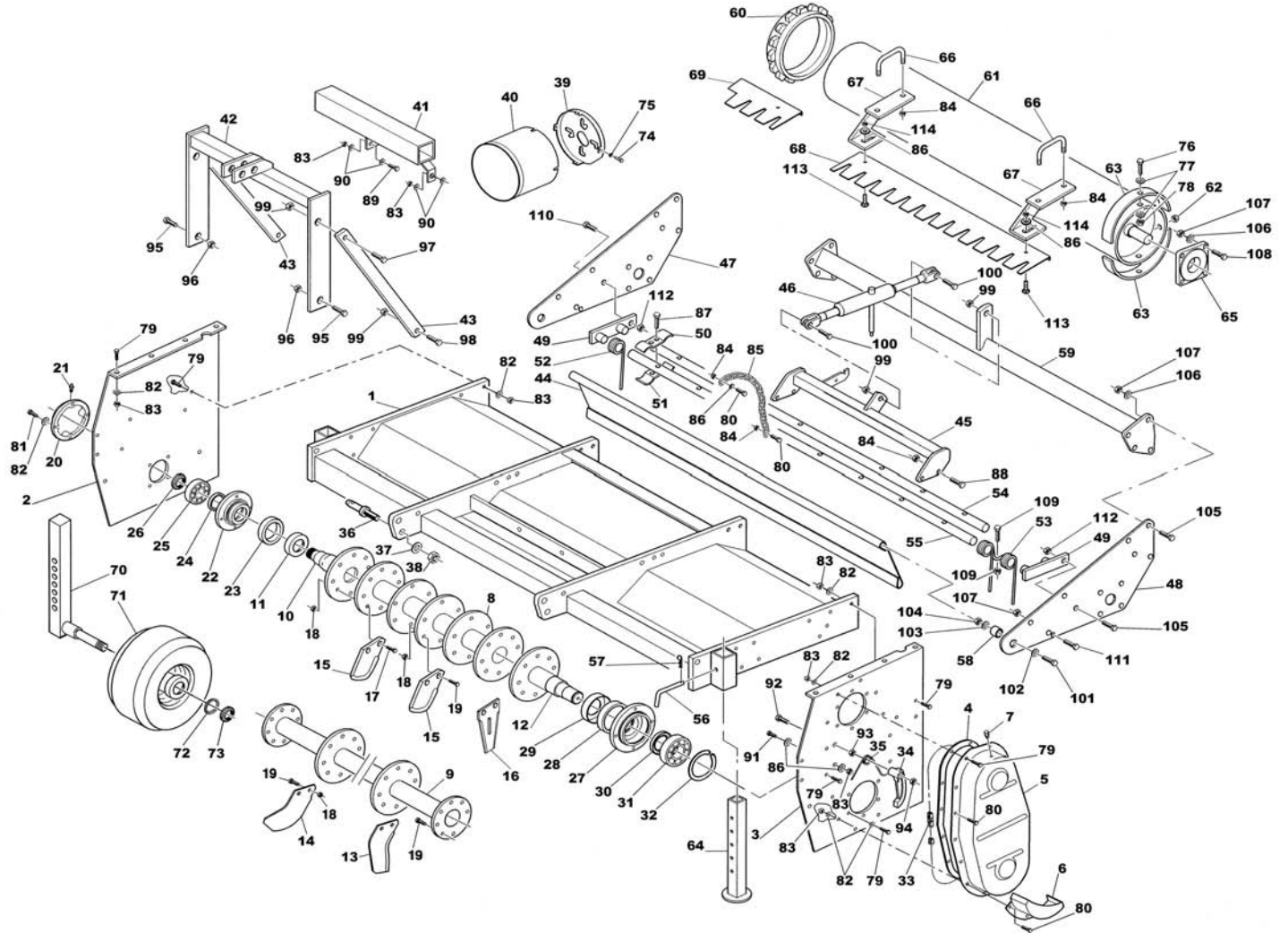
<sup>9</sup> Blades must be purchased in pairs (right & left blade).

<sup>10</sup> Blades must be purchased in pairs (right & left blade).



| Ref. | Part #    | Description                                      | Qty. |
|------|-----------|--|------|
| 45   | 008-7352  | Turnbuckle hitch 82"; GRT-282 First version only | 1    |
|      | 008-7353  | Turnbuckle hitch 82"; GRT-282 Ver. A & above     | 1    |
| 46   | 008-7364  | Turnbuckle 82"; GRT-282                          | 1    |
| 47   | 008-4458  | Roller arm, right                                | 1    |
| 48   | 008-4457  | Roller arm, left                                 | 1    |
| 49   | 004-6347  | Pivot assembly                                   | 2    |
| 50   | 004-6351  | Locking plate, top                               | 2    |
| 51   | 014-6351  | Locking plate, bottom                            | 2    |
| 52   | 004-6360  | Tickler tooth ½ spring                           | 1    |
| 53   | 004-6358  | Tickler tooth spring                             | 19   |
| 54   | 008-7442  | Tickler bar, rear 82"; GRT-282                   | 1    |
| 55   | 008-7444  | Tickler bar, front 82"; GRT-282                  | 1    |
| 56   | 008-4619  | Hitch pin  | 1    |
| 57   | 009-1507  | Hairpin cotter Ø4 Z                              | 1    |
| 58   | 004-8470  | Spacer, roller arm                               | 2    |
| 59   | 008-7402  | Rear crossbar 82"; GRT-282                       | 1    |
| 60   | 004-6322  | Corrugated roller ring, nylon-fiberglass         | 32   |
|      | 008-8589  | Corrugated roller ring, cast iron (option)       | 32   |
| 61   | 008-7415  | Leveling roller 82"; GRT-282                     | 1    |
| 62   | 004-6325  | Cap  | 2    |
| 63   | 004-6323  | End ring   | 4    |
| 64   | 008-7564  | Stand 82"; GRT-282                               | 1    |
| 65   | 004-6331  | Support UCF 207 TF                               | 2    |
| 66   | 008-4693  | Bolt "U" M10-1.50x80x103 Z                       | 6    |
| 67   | 008-4685  | Support, roller scraper (option)                 | 6    |
| 68   | 008-4683  | Roller scraper plate (option)                    | 2    |
| 69   | 008-7644  | Roller scraper side plate 82"; GRT-282 (option)  | 1    |
| 70   | 008-7633  | Wheel support; until 10/06 (option)              | 2    |
|      | 008-4670  | Wheel support; since 11/06 (option)              | 2    |
| 71   | 008-4673  | Air tire; until 10/06 (option) <sup>11</sup>     | 2    |
|      | 002-3929A | Bearing, needle; air tire #008-4673 (not shown)  | 4    |
|      | 002-3930A | Retainer, wheel; air tire #008-4673 (not shown)  | 4    |
|      | 006-7402  | Air tire; since 11/06 (option)                   | 2    |
|      | 005-1706  | Bearing, air tire #006-7402 (not shown)          | 4    |
|      | 004-4134  | Wheel cover, air tire #006-7402 (not shown)      | 4    |
| 72   | 000-6606  | Shim Ø25x35x2                                    | 2    |
| 73   | 000-6610  | Lynch pin Ø6x46; until 10/06                     | 2    |
|      | 000-6698  | Nut SP M25-1.50 Z; since 11/06                   | 2    |
| 74   | 001-1210  | Bolt PN M06-1.00x12 C4.6 Z F                     | 4    |
| 75   | 001-1209  | Washer fender Ø6 Z                               | 4    |
| 76   | 009-1446  | Bolt HH M08-1.25x25 C8.8 Z F                     | 8    |
| 77   | 001-5230  | Washer flat Ø08 W                                | 16   |
| 78   | 001-1328  | Nut PT M08-1.25 C6 Z TK                          | 8    |
| 79   | 003-3176  | Bolt HH M10-1.50x25 C8.8 Z F                     | 32   |
| 80   | 000-1278  | Bolt HH M10-1.50x30 C8.8 Z F                     | 8    |
| 81   | 009-1281  | Bolt HH M10-1.50x35 C8.8 Z F                     | 4    |
| 82   | 000-1280  | Washer lock Ø10 Z                                | 42   |
| 83   | 000-1279  | Nut HH M10-1.50 C6 Z TK                          | 35   |
| 84   | 003-0156  | Nut PT M10-1.50 C6 TK Z                          | 18   |
| 85   | 000-7257  | Chain Ø06  | 1    |

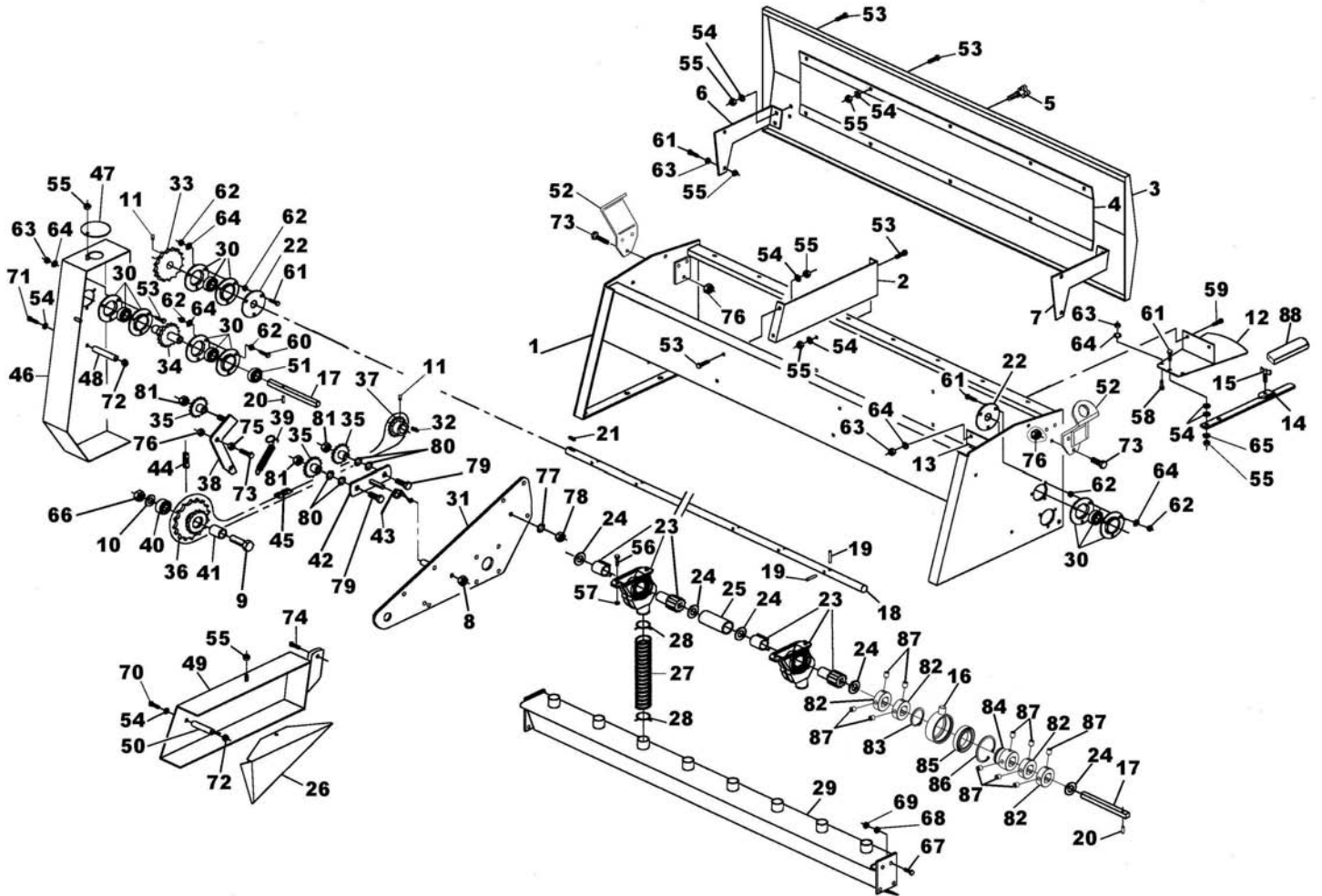
<sup>11</sup> Wheel no longer available. Order (q.ty 1) wheel (#006-7402) and (q.ty 1) wheel support (#008-4670) when replacing wheel.



| Ref. | Part #   | Description                  | Qty. |
|------|----------|------------------------------|------|
| 86   | 003-0157 | Washer fender Ø10 Z          | 9    |
| 87   | 000-8037 | Bolt HH M08-1.25x50 C8.8 Z F | 4    |
| 88   | 003-8614 | Bolt HH M10-1.50x40 C8.8 Z F | 4    |
| 89   | 002-6329 | Bolt HH M10-1.50x45 C8.8 Z F | 1    |
| 90   | 000-2034 | Washer flat Ø10 W            | 4    |
| 91   | 003-0640 | Bolt HH M10-1.50x65 C8.8 Z F | 1    |
| 92   | 008-0150 | Bolt HH M14-2.00x75 C8.8 Z F | 1    |
| 93   | 000-1177 | Nut HH M14-2.00 C6 Z MD      | 1    |
| 94   | 008-0152 | Nut HH M14-2.00 C6 N TN      | 1    |
| 95   | 000-5540 | Bolt HH M20-2.50x55 C8.8 Z F | 2    |
| 96   | 000-5507 | Nut PT M20-2.50 C6 Z TK      | 2    |
| 97   | 007-4232 | Bolt HH M14-2.00x40 C8.8 Z F | 2    |
| 98   | 003-7349 | Bolt HH M14-2.00x45 C8.8 Z F | 2    |
| 99   | 003-0358 | Nut PT M14-2.00 C6 Z TK      | 6    |
| 100  | 002-9317 | Bolt HH M14-2.00x50 C8.8 Z F | 2    |
| 101  | 003-7386 | Bolt HH M18-2.50x80 C8.8 Z F | 2    |
| 102  | 005-0049 | Washer flat Ø18 Y            | 2    |
| 103  | 000-3366 | Washer lock Ø18 Z            | 2    |
| 104  | 003-8370 | Nut HH M18-2.50 C6 Z MD      | 2    |
| 105  | 002-3265 | Bolt HH M12-1.75x40 C8.8 Z F | 9    |
| 106  | 000-1077 | Washer lock Ø12 Z            | 16   |
| 107  | 000-3038 | Nut HH M12-1.75 C6 Z TK      | 18   |
| 108  | 003-0054 | Bolt HH M12-1.75x50 C8.8 Z F | 8    |
| 109  | 004-6362 | Bolt CR M10-1.50x50 C4.6 Z P | 20   |
| 110  | 008-4577 | Stop bolt                    | 1    |
| 111  | 000-3037 | Bolt HH M12-1.75x25 C8.8 Z F | 2    |
| 112  | 003-0064 | Nut PT M12-1.75 C6 TK Z      | 2    |
| 113  | 000-1036 | Bolt CR M10-1.50x30 C4.6 Z   | 6    |
| 114  | 001-4106 | Nut ES M10-1.50 Z TK         | 6    |

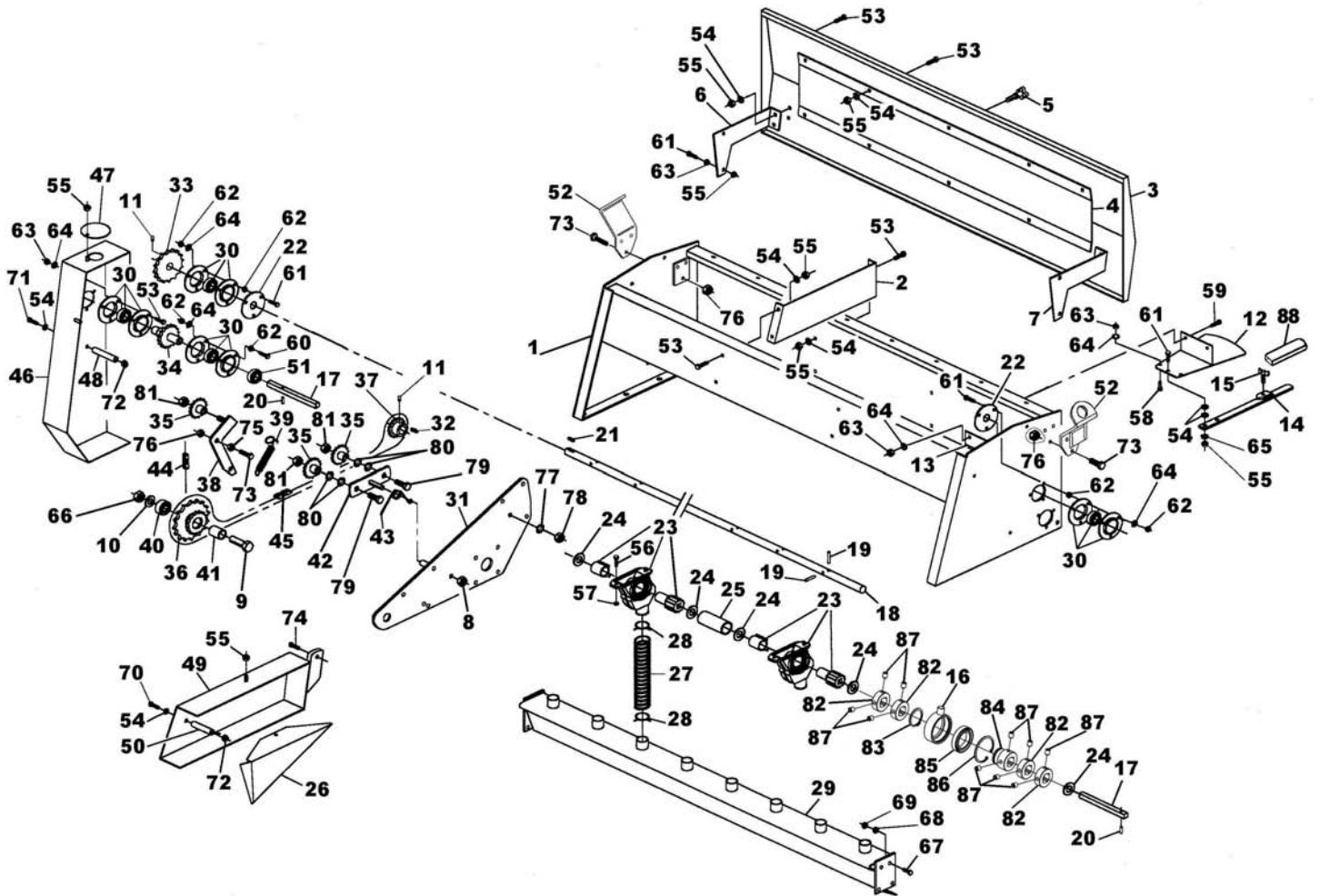
**Accessories:**

|          |   |   |
|----------|---|---|
| 009-9567 | Tilling rotor 82" w/tines, complete; GRT-282 (option)   | - |
| 009-9568 | Roller scraper 82", complete; GRT-282 (option)          | - |
| 009-9875 | Gauge wheels, complete: GRT-250, 258, 266, 282 (option) | - |

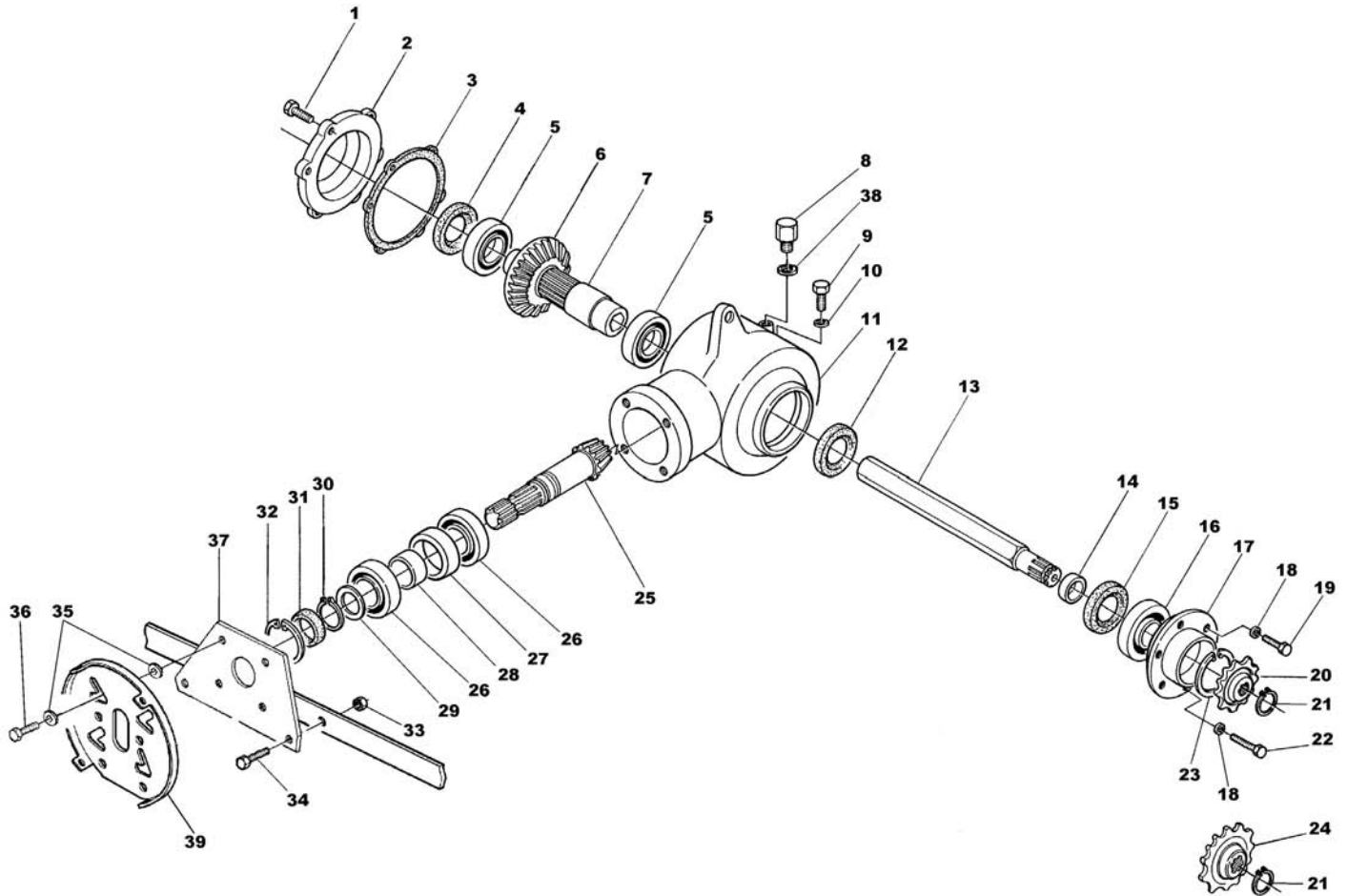




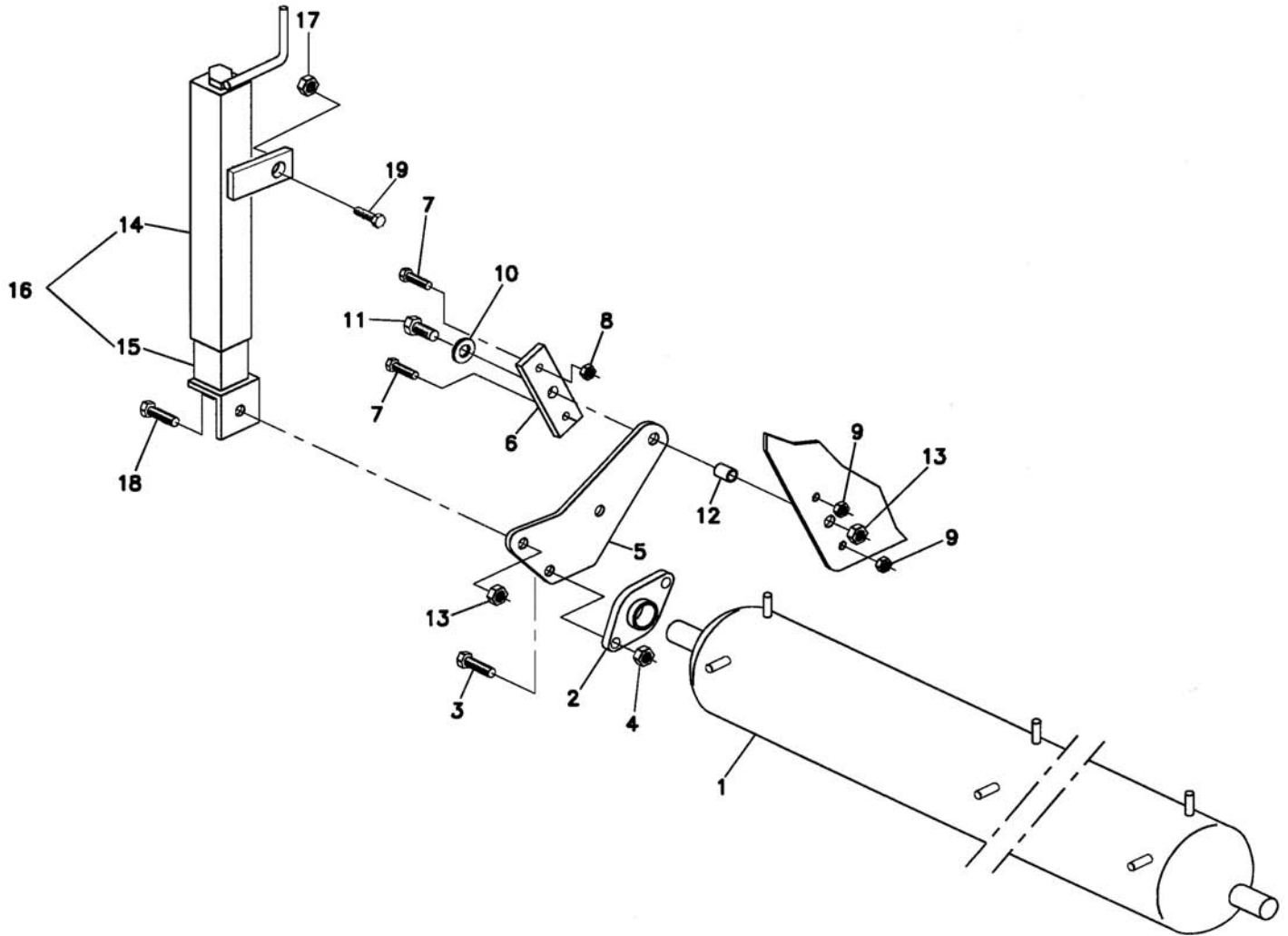
| Ref. | Part #   | Description                                  | Qty. |
|------|----------|--|------|
| 1    | 008-7201 | Hopper 82"; GRT-282                          | 1    |
| 2    | 008-7207 | Hopper support 82"; GRT-282                  | 3    |
| 3    | 008-7214 | Hopper lid 82"; GRT-282                      | 1    |
| 4    | 008-7217 | Lid support 82"; GRT-282                     | 1    |
| 5    | 008-4310 | Knob, plastic, autolocking                   | 1    |
| 6    | 018-4302 | Hopper hinge, right                          | 1    |
| 7    | 028-4302 | Hopper hinge, left                           | 1    |
| 8    | 003-0358 | Nut PT M14-2.00 C6 Z TK                      | 1    |
| 9    | 008-4558 | Bolt HH M20-2.50x90 C8.8 Z F                 | 1    |
| 10   | 004-6555 | Washer flat Ø20 Z                            | 1    |
| 11   | 008-4376 | Set screw M10-1.50x08 C14.9 N                | 2    |
| 12   | 008-4332 | Calibration plate                            | 1    |
| 13   | 004-6472 | Plate  | 1    |
| 14   | 004-6561 | Calibration handle                           | 1    |
| 15   | 004-6465 | Bolt wing M10-1.50x20 C5 Z                   | 1    |
| 16   | 004-8331 | Spacer, calibration handle; #296780 & below  | 1    |
|      | 008-4342 | Support, calibration handle; #296781 & above | 1    |
| 17   | 008-7293 | Drive rod 82"; GRT-282                       | 1    |
| 18   | 008-7297 | Auger shaft 82"; GRT-282                     | 1    |
| 19   | 004-6521 | Roll pin Ø6x60                               | 22   |
| 20   | 000-6605 | Roll pin Ø6x32                               | 2    |
| 21   | 000-6639 | Key 8x7x25                                   | 1    |
| 22   | 004-6525 | Closing flange                               | 2    |
| 23   | 004-6531 | Seed cup assembly                            | 11   |
| 24   | 008-4415 | Washer, flat square hole                     | 24   |
| 25   | 004-8391 | Spacer, drive rod                            | 9    |
| 26   | 008-4610 | Cover plate                                  | 1    |
| 27   | 008-7316 | Fertilizer tube 28 cm.                       | 11   |
| 28   | 004-6533 | Wire ring clamp                              | 22   |
| 29   | 008-7342 | Discharge support 82"; GRT-282               | 1    |
| 30   | 004-6541 | Support, complete                            | 4    |
| 31   | 008-4458 | Roller arm, right                            | 1    |
| 32   | 000-6688 | Key 7x8x35                                   | 1    |
| 33   | 008-4527 | Sprocket Z22, auger shaft                    | 1    |
| 34   | 008-4528 | Sprocket Z15, drive rod                      | 1    |
| 35   | 004-6644 | Idler sprocket Z14                           | 3    |
| 36   | 008-4552 | Sprocket assembly                            | 1    |
| 37   | 008-4582 | Sprocket Z13                                 | 1    |
| 38   | 008-4534 | Chain tensioner support                      | 1    |
| 39   | 005-1740 | Spring                                       | 1    |
| 40   | 008-4556 | Bearing 4204                                 | 1    |
| 41   | 008-4559 | Spacer, sprocket assembly; until 11/1998     | 1    |
|      | 008-7499 | Spacer, sprocket assembly; since 11/1998     | 1    |
| 42   | 008-4572 | Chain adjuster support                       | 1    |
| 43   | 008-4576 | Spring, chain adjuster support               | 1    |
| 44   | 008-7528 | Chain ASA 50x96                              | 1    |
| 45   | 008-4588 | Chain ASA 50x92                              | 1    |
| 46   | 008-7532 | Upper cover, chain case                      | 1    |
| 47   | 008-4596 | Access cover, chain case                     | 1    |
| 48   | 008-4599 | Spacer, upper cover                          | 1    |
| 49   | 008-4601 | Lower cover, chain case                      | 1    |



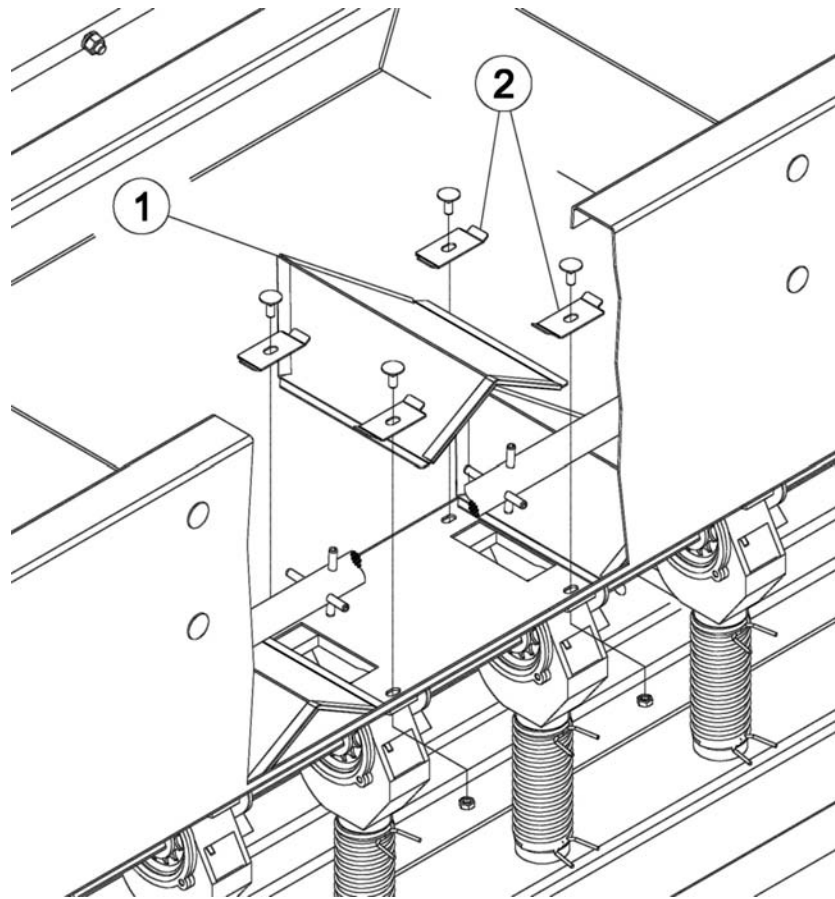
| Ref. | Part #   | Description                                     | Qty. |
|------|----------|---|------|
| 50   | 008-4607 | Spacer, lower cover                             | 1    |
| 51   | 008-4375 | Collar Ø25, shaft                               | 1    |
| 52   | 008-4284 | Lift hook; #270182 & above                      | 2    |
| 53   | 008-4289 | Bolt CR M08-1.25x20 C4.6 Z                      | 29   |
| 54   | 000-2034 | Washer flat Ø10 W                               | 30   |
| 55   | 009-1384 | Nut ES M08-1.25 Z TK                            | 31   |
| 56   | 008-8748 | Bolt CR M06-1.00x20 C4.6 Z                      | 22   |
| 57   | 200-3001 | Nut kep M06-1.00 Z                              | 22   |
| 58   | 004-6454 | Bolt HH M08-1.25x16 C8.8 Z F                    | 2    |
| 59   | 001-5012 | Bolt HH M08-1.25x20 C8.8 Z F                    | 2    |
| 60   | 009-1446 | Bolt HH M08-1.25x25 C8.8 Z F                    | 3    |
| 61   | 004-6543 | Bolt HH M08-1.25x30 C8.8 Z F                    | 9    |
| 62   | 004-6545 | Nut HH M08-1.25 C6 Z MD                         | 18   |
| 63   | 000-1806 | Nut HH M08-1.25 C6 Z TK                         | 9    |
| 64   | 000-3144 | Washer lock Ø8 Z                                | 16   |
| 65   | 001-5230 | Washer flat Ø08 W                               | 1    |
| 66   | 000-5507 | Nut PT M20-2.50 C6 TK Z                         | 1    |
| 67   | 000-1278 | Bolt HH M10-1.50x30 C8.8 Z F                    | 8    |
| 68   | 000-1280 | Washer lock Ø10 Z                               | 8    |
| 69   | 000-1279 | Nut HH M10-1.50 C6 Z TK                         | 8    |
| 70   | 001-5273 | Bolt HH M10-1.50x110 C8.8 Z P                   | 1    |
| 71   | 001-5263 | Bolt HH M10-1.50x120 C8.8 Z P                   | 1    |
| 72   | 001-4106 | Nut ES M10-1.50 Z TK                            | 2    |
| 73   | 000-7255 | Bolt HH M12-1.75x35 C8.8 Z F                    | 7    |
| 74   | 002-3265 | Bolt HH M12-1.75x40 C8.8 Z F                    | 1    |
| 75   | 001-7223 | Nut HH M12-1.75 C6 Z TN                         | 1    |
| 76   | 003-0064 | Nut PT M12-1.75 C6 Z TK                         | 7    |
| 77   | 000-1077 | Washer lock Ø12 Z                               | 1    |
| 78   | 000-3038 | Nut HH M12-1.75 C6 Z TK                         | 1    |
| 79   | 009-1038 | Bolt HH M16-2.00x50 C8.8 Z F                    | 2    |
| 80   | 000-8568 | Washer flat Ø16 W                               | 4    |
| 81   | 000-5581 | Nut PT M16-2.00 C6 Z TK                         | 3    |
| 82   | 008-4357 | Locking collar, square hole; #296781 & above    | 4    |
| 83   | 001-0122 | Snap ring, outer Ø30; #296781 & above           | 1    |
| 84   | 008-4352 | Adjustment collar, square hole; #296781 & above | 1    |
| 85   | 008-4346 | Bearing 61906 2RS; #296781 & above              | 1    |
| 86   | 005-0144 | Snap ring, inner Ø47; #296781 & above           | 1    |
| 87   | 008-4354 | Set screw M08x8; #296781 & above                | 10   |
| 88   | 008-4345 | Grip, calibration handle                        | 1    |



| Ref. | Part #    | Description                  | Qty. |
|------|-----------|------------------------------|------|
| 1    | 000-6349  | Bolt HH M10-1.50x20 C8.8 Z F | 6    |
| 2    | 008-0205  | Gear cover                   | 1    |
| 3    | 018-0206  | Gasket 0.2                   | -    |
|      | 028-0206  | Gasket 0.5                   | -    |
| 4    | 008-0202  | Oil seal 60.75.8             | 1    |
| 5    | 000-1139  | Bearing 6212                 | 2    |
| 6    | 008-0213  | Ring gear                    | 1    |
| 7    | 008-0195  | Shaft coupling               | 1    |
| 8    | 000-1107A | Breather cap                 | 1    |
| 9    | 000-2365  | Bolt HH M16-2.00x50 C8.8 Z F | 1    |
| 10   | 000-8568  | Washer flat Ø16 W            | 1    |
| 11   | 008-0194  | Housing, gearbox             | 1    |
| 12   | 000-2071  | Oil seal 60.80.10            | 1    |
| 13   | 058-0182  | Hexagonal shaft 82"; GRT-282 | 1    |
| 14   | 000-3049  | Spacer                       | 1    |
| 15   | 000-5578  | Oil seal 55.80.10            | 1    |
| 16   | 000-1085  | Bearing 6309                 | 1    |
| 17   | 008-0172  | Top shaft flange             | 1    |
| 18   | 000-1280  | Washer lock Ø10 Z            | 6    |
| 19   | 003-3176  | Bolt HH M10-1.50x25 C8.8 Z F | 5    |
| 20   | 008-0162  | Sprocket Z12                 | 1    |
| 21   | 001-2028  | Snap ring, outer Ø45         | 2    |
| 22   | 002-6329  | Bolt HH M10-1.50x45 C8.8 Z F | 1    |
| 23   | 000-1087  | Snap ring, inner Ø100        | 1    |
| 24   | 008-0142  | Sprocket Z14                 | 1    |
| 25   | 008-0214  | Pinion gear                  | 1    |
| 26   | 000-1148A | Bearing 6308                 | 2    |
| 27   | 005-3257  | Outer spacer                 | 1    |
| 28   | 005-3253  | Inner spacer                 | 1    |
| 29   | 000-6685  | Shim Ø40x50x2.5              | 1    |
| 30   | 000-8138  | Snap ring, outer Ø40         | 1    |
| 31   | 005-4290  | Oil seal 40.90.8 BASL        | 1    |
| 32   | 000-8137  | Snap ring, inner Ø90         | 1    |
| 33   | 003-0358  | Nut PT M14-2.00 C6 Z TK      | 2    |
| 34   | 007-4232  | Bolt HH M14-2.00x40 C8.8 Z F | 2    |
| 35   | 000-2265  | Washer flat Ø12 W            | 8    |
| 36   | 001-5255  | Bolt HH M12-1.75x30 C8.8 Z F | 4    |
| 37   | 008-0233  | Front cover, gearbox         | 1    |
| 38   | 000-6691  | Gasket                       | 1    |
| 39   | 001-1201  | Support, guard               | 1    |
|      | 050-0613  | Gearbox 540 rpm, complete    | -    |

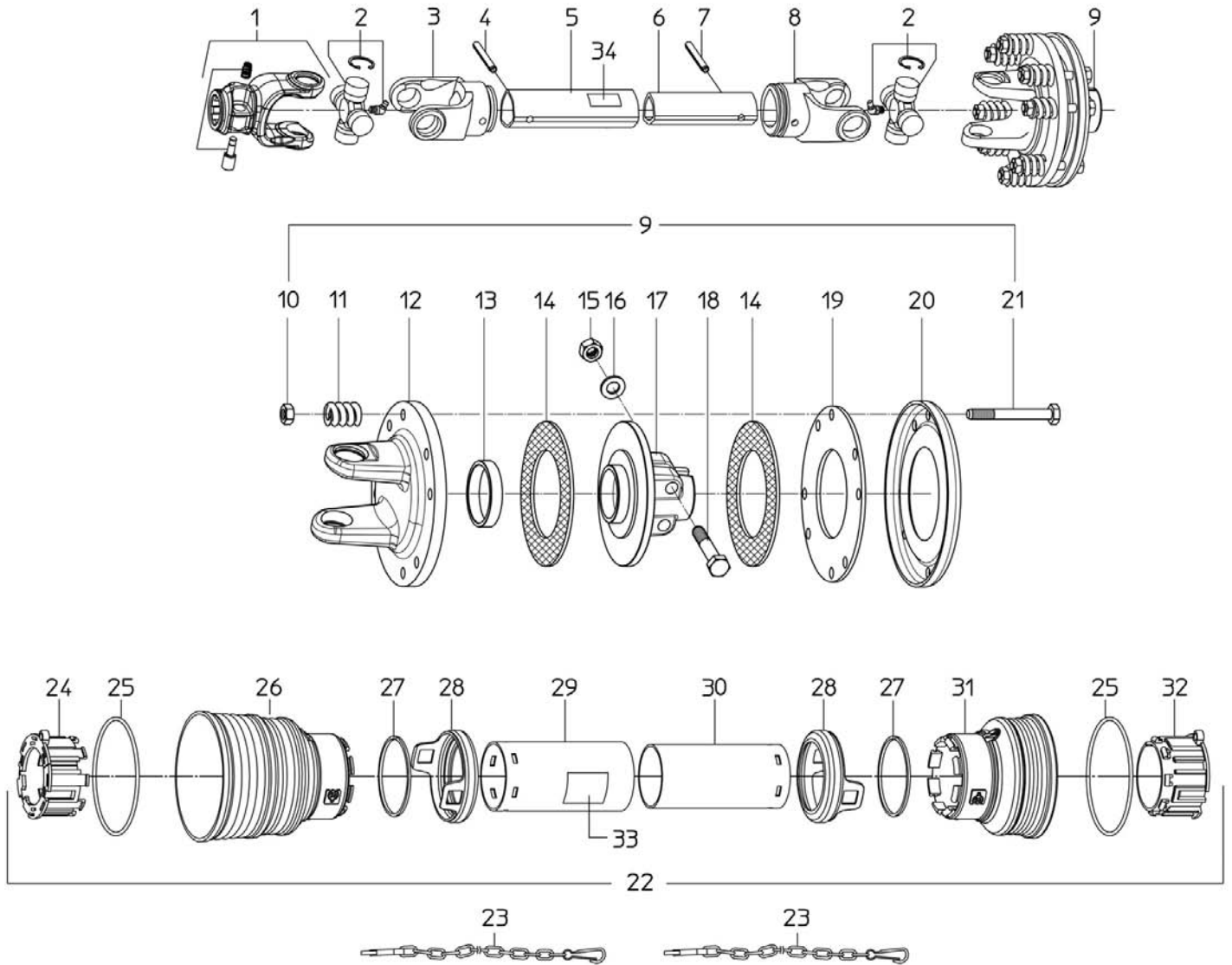


| Ref. | Part #   | Description  | Qty. |
|------|----------|--|------|
| 1    | 008-7572 | Front gauge roller 82"; GRT-282                    | 1    |
| 2    | 003-7514 | Support UCFL 206 TF                                | 2    |
| 3    | 002-3265 | Bolt HH M12-1.75x40 C8.8 Z F                       | 4    |
| 4    | 003-0064 | Nut PT M12-1.75 C6 Z TK                            | 4    |
| 5    | 008-4631 | Roller arm   | 2    |
| 6    | 008-4633 | Plate  | 2    |
| 7    | 003-8614 | Bolt HH M10-1.50x40 C8.8 Z F                       | 4    |
| 8    | 000-3038 | Nut HH M12-1.75 C6 Z TK                            | 4    |
| 9    | 003-0156 | Nut PT M10-1.50 C6 Z TK                            | 4    |
| 10   | 009-1435 | Washer flat Ø14 W                                  | 2    |
| 11   | 000-1018 | Bolt HH M14-2.00x45 C8.8 Z P                       | 2    |
| 12   | 008-4642 | Spacer, roller arm                                 | 2    |
| 13   | 003-0358 | Nut PT M14-2.00 C6 Z TK                            | 4    |
| 14   | 018-7598 | Female tube, right register screw                  | 1    |
|      | 028-7598 | Female tube, left register screw                   | 1    |
| 15   | 008-4656 | Male tube, register screw                          | 2    |
| 16   | 018-7597 | Register screw, right complete                     | 1    |
|      | 028-7597 | Register screw, left complete                      | 1    |
| 17   | 005-5047 | Nut ES M18-2.50 Z TK                               | 2    |
| 18   | 000-1526 | Bolt HH M14-2.00x35 C8.8 Z F                       | 2    |
| 19   | 006-4377 | Bolt HH M18-2.50x45 C8.8 Z F                       | 2    |
|      | 009-9566 | Front gauge roller 82", complete; GRT-282 (option) | -    |

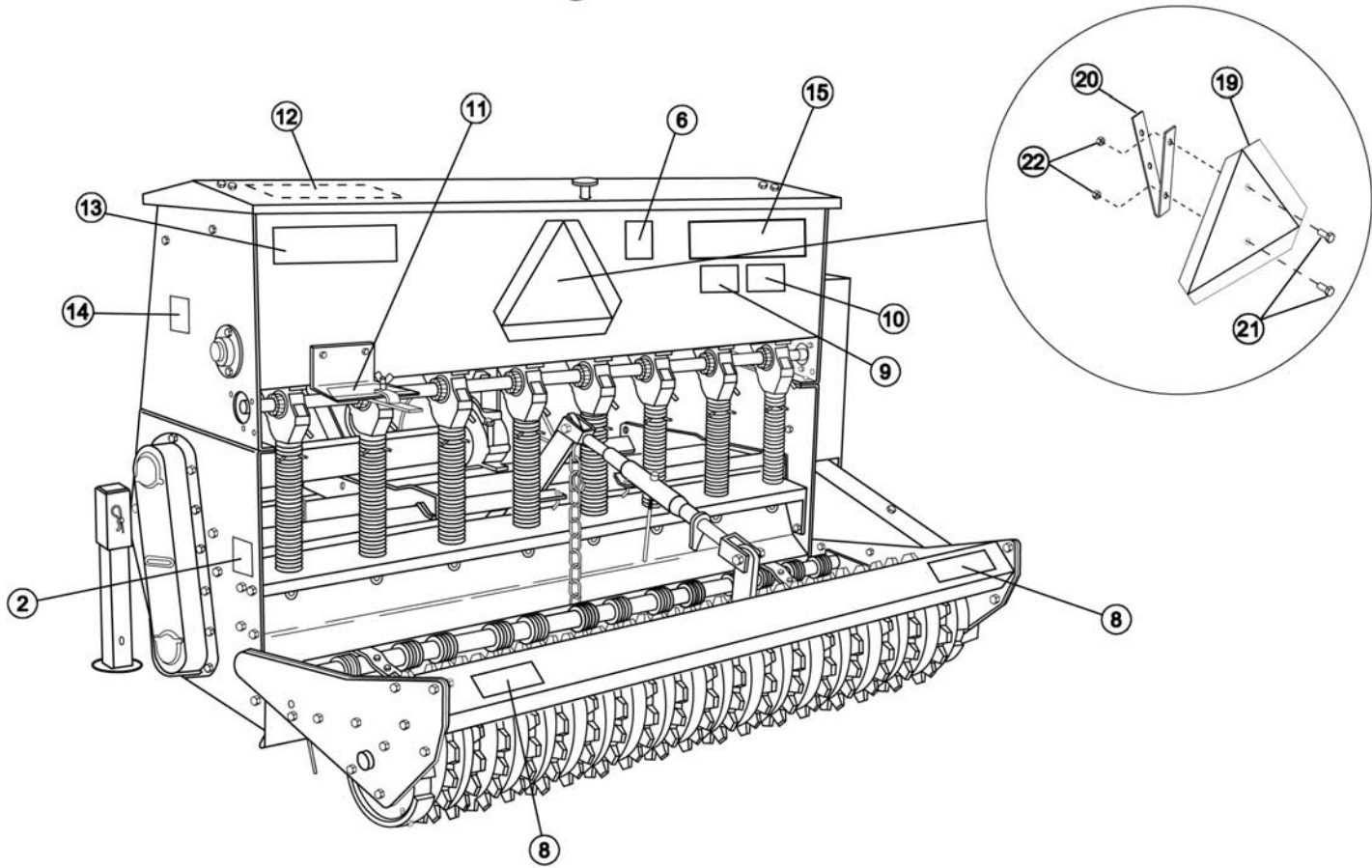
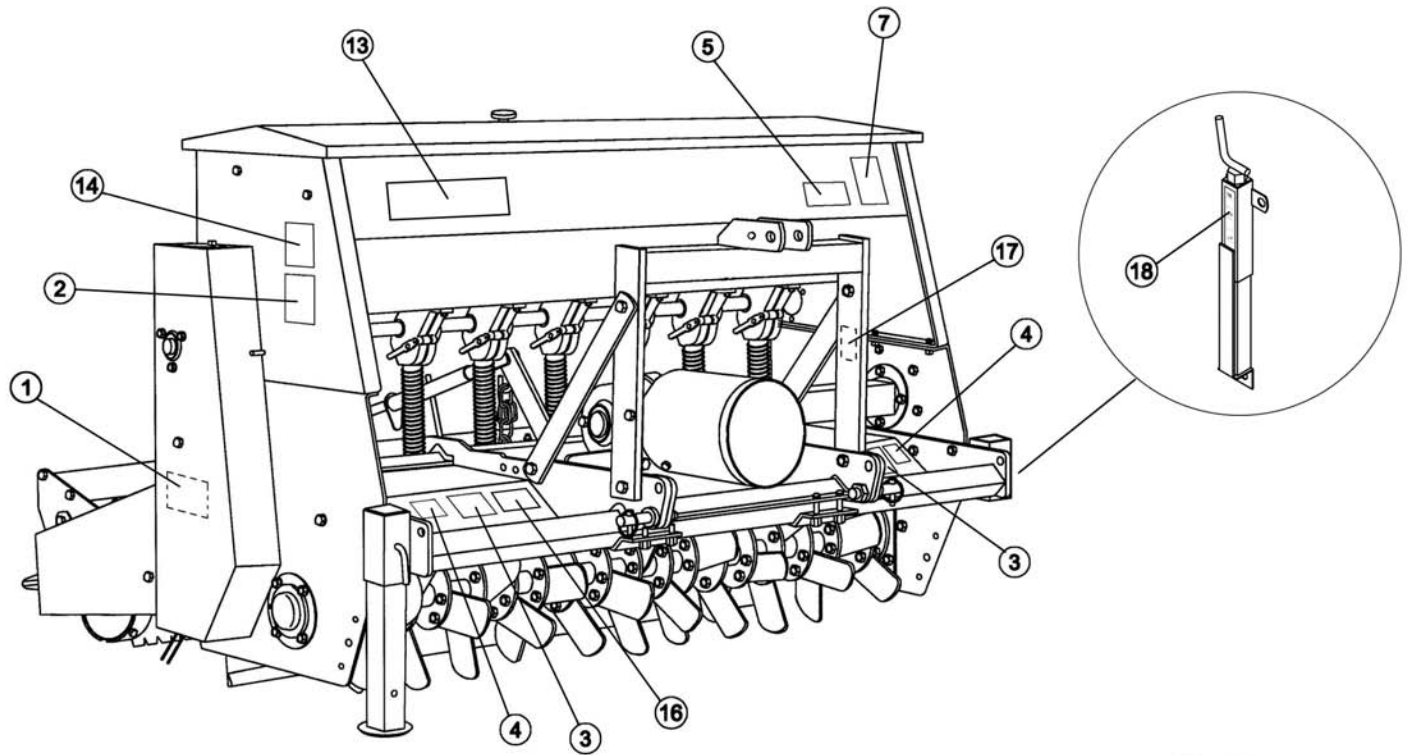




| <b>Ref.</b> | <b>Part #</b> | <b>Description</b>                   | <b>Qty.</b> |
|-------------|---------------|--------------------------------------|-------------|
| 1           | 008-8740      | Seed conveyor; GRT-282               | 10          |
| 2           | 008-8742      | Fixing plate, seed conveyor; GRT-282 | 22          |
|             | 009-9142      | Seed conveyors, complete; GRT-282    | -           |



| Ref. | Part #    | Description   | Qty. |
|------|-----------|---|------|
| 1    | 1026010C  | PTO yoke (tractor end)                                      | 1    |
| 2    | 1006020C  | Cross w/bearing   | 2    |
| 3    | 1706027C  | Yoke, outer tube  | 1    |
| 4    | 003-2204  | Roll pin Ø10x80   | 1    |
| 5    | 1528048C  | Outer tube  | 1    |
| 6    | 1526048C  | Inner tube  | 1    |
| 7    | 000-016E  | Roll pin Ø10x70   | 1    |
| 8    | 1706029C  | Yoke, inner tube  | 1    |
| 9    | 1346018C  | Slip clutch, complete (implement end)                       | 1    |
| 10   | 003-0156  | Nut PT M10-1.50 C6 ZC                                       | 8    |
| 11   | 1215012C  | Spring  | 8    |
| 12   | 1706005C  | Yoke, slip clutch   | 1    |
| 13   | 1705009C  | Bushing   | 1    |
| 14   | 1805010C  | Friction disc   | 2    |
| 15   | 000-1075  | Nut HH M12-1.25 C6 ZC TK                                    | 2    |
| 16   | 000-1077  | Washer lock M12 ZC  | 2    |
| 17   | 1705005C  | Body, slip clutch   | 1    |
| 18   | 000-5672  | Bolt HH M12-1.25x70 C 8.8 Z P                               | 2    |
| 19   | 1135008C  | Inner disc  | 1    |
| 20   | 1135007C  | Pressure disc   | 1    |
| 21   | 001-9360  | Bolt HH M10-1.50x85 C 8.8 Z P                               | 8    |
| 22   | 90SC6038C | Shield, complete  | 1    |
| 23   | 1006065C  | Chain, anti-rotation  | 2    |
| 24   | 1786710C  | Locking ring, outer tube                                    | 1    |
| 25   | 1215733C  | Stiffening ring   | 2    |
| 26   | 1785703C  | Standard cone   | 1    |
| 27   | 1215735C  | Stop ring   | 2    |
| 28   | 1885709C  | Safety sleeve   | 2    |
| 29   | 1776038C  | Shield, outer tube  | 1    |
| 30   | 1877038C  | Shield, inner tube  | 1    |
| 31   | 1785702C  | Extra short cone  | 1    |
| 32   | 1786711C  | Locking ring, inner tube                                    | 1    |
| 33   | 950-463B  | Decal "DANGER - Rotating driveline, keep away" outer shield | 1    |
| 34   | 950-464B  | Decal "DANGER - Guard missing, do not operate" outer tube   | 1    |
|      | 050-0427  | Driveline w/slip clutch, complete                           | -    |



| Ref. | Part #   | Description  | Qty. |
|------|----------|--|------|
| 1    | 950-213B | Decal "DANGER - Replace shield"                      | 1    |
| 2    | 950-486B | Decal "DANGER - Moving parts hazard"                 | 2    |
| 3    | 950-342B | Decal "DANGER - Crushing hazard"                     | 2    |
| 4    | 950-209B | Decal "DANGER - Rotating blades hazard"              | 2    |
| 5    | 950-109B | Decal "DANGER - Avoid injury from PTO"               | 1    |
| 6    | 950-343B | Decal "WARNING - Falling hazard"                     | 1    |
| 7    | 950-417B | Decal "CAUTION - Read operator's manual"             | 1    |
| 8    | 950-366B | Decal, red reflective                                | 2    |
| 9    | 950-286B | Decal "GRT"  | 1    |
| 10   | 950-240B | Decal "250"  | 1    |
|      | 950-241B | Decal "258"  | 1    |
|      | 950-242B | Decal "266"  | 1    |
|      | 950-289B | Decal "282"  | 1    |
| 11   | 937-0116 | Decal "Seed calibration scale"                       | 1    |
| 12   | 950-293B | Decal "Seed distribution table"                      | 1    |
| 13   | 950-107B | Decal "BEFCO"  | 2    |
| 14   | 950-104B | Decal "B" logo                                       | 2    |
| 15   | 950-291B | Decal "Green-Rite"                                   | 1    |
| 16   | 950-381B | Decal "BEFCO INC." address                           | 1    |
| 17   | 950-940B | Decal "Quick hitch compatible"                       | 1    |
| 18   | 937-0117 | Decal "Guage roller height" (for front guage roller) | 2    |
| 19   | 950-352B | SMV plastic emblem (option)                          | 1    |
| 20   | 503-680B | Mounting bracket SMV (option)                        | 1    |
| 21   | 001-1208 | Bolt HH M06-1.00x12 C4.6 Z F                         | 2    |
| 22   | 200-3001 | Nut kep M06-1.00 Z                                   | 2    |
|      | 971-128B | Parts Manual "Green-Rite 250, 258, 266 & 282"        | 1    |
|      | 971-130B | Operator's Manual "Green-Rite 250, 258, 266 & 282"   | 1    |



## **Use only original spare parts**

*All rights reserved. It is unlawful to copy, reprint or use any of the information or details in this manual without the expressed written permission of the Company. Technical information provided in this manual is approximate, the Company reserves the right to modify or improve the models shown for technical or commercial purposes. Pictures in this manual do not necessarily show the machine as delivered.*

---

**BEFCO**<sup>®</sup>

P.O. Box 6036  
Rocky Mount, NC 27802-6036  
Tel.: 252.977.9920 - Fax: 252.977.9718  
[www.befco.com](http://www.befco.com)

